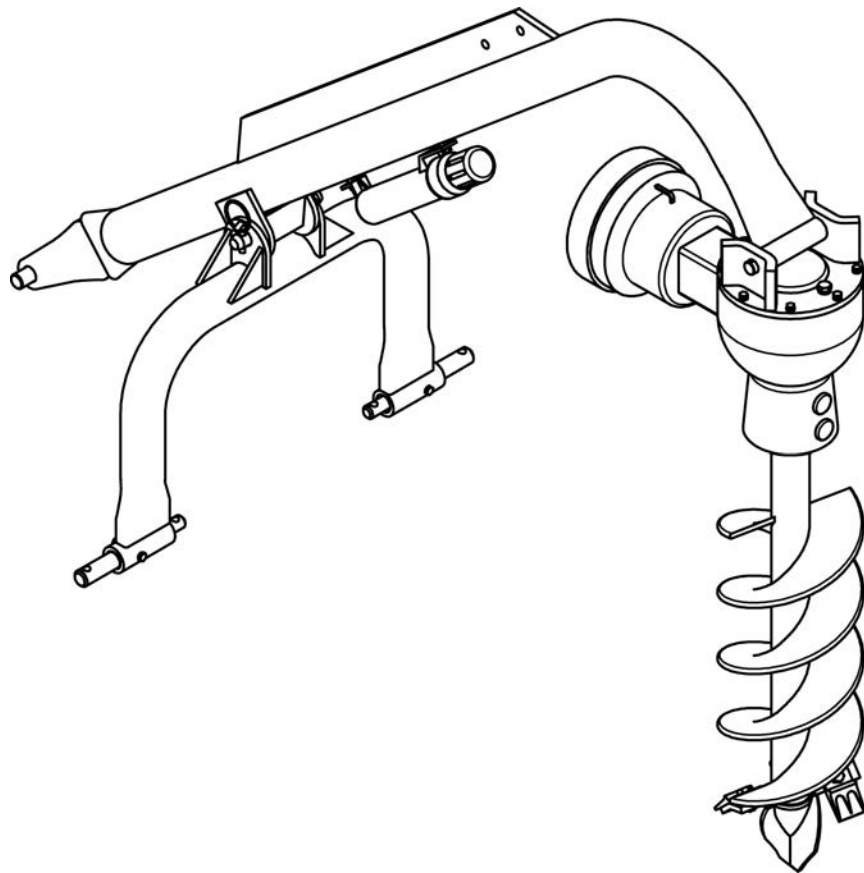


# ROTOMECH<sup>®</sup> USA

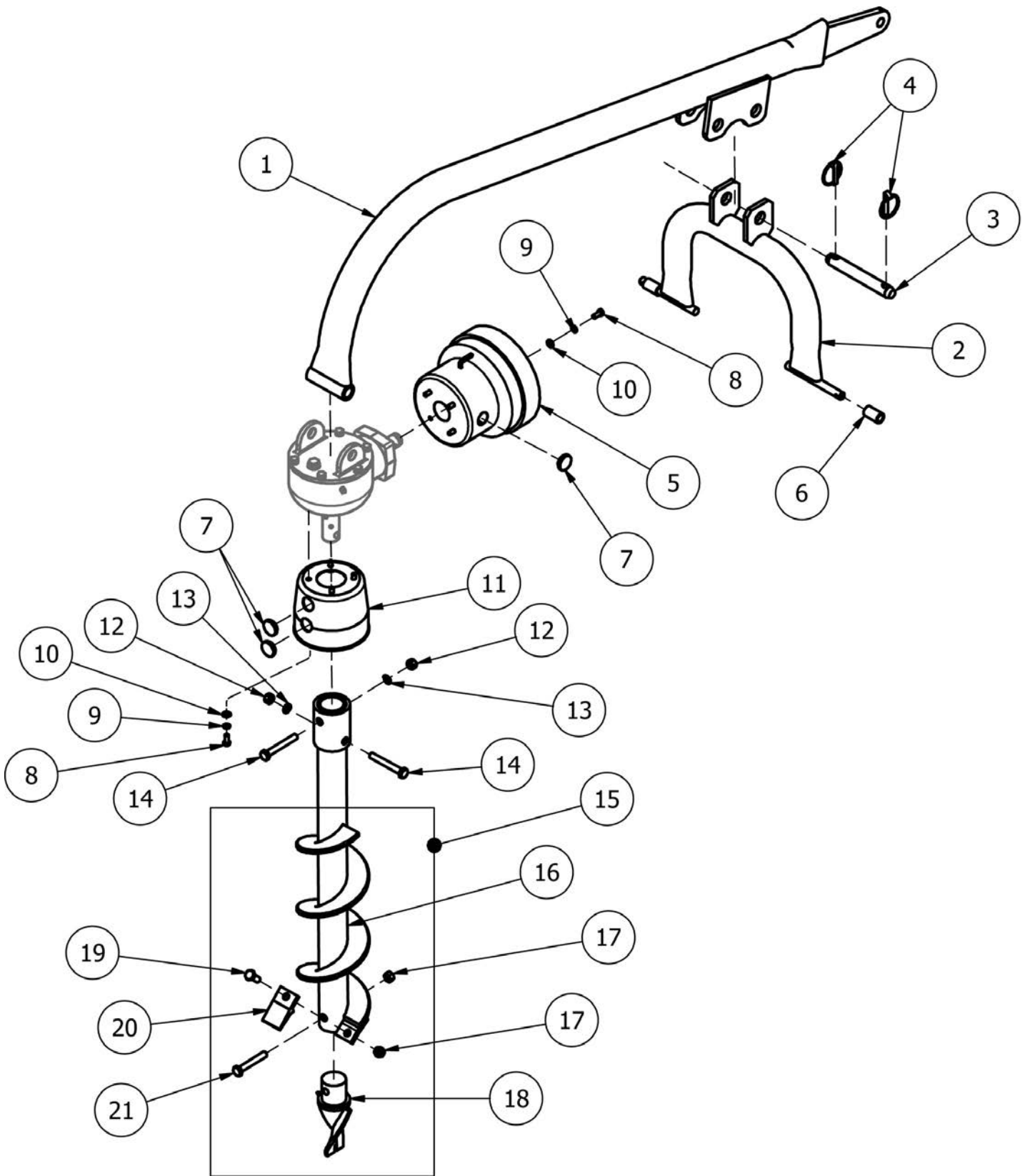
## Parts Manual

### POST HOLE DIGGERS

**PHD-100, PHD-200, PHD-300, PHD-400**



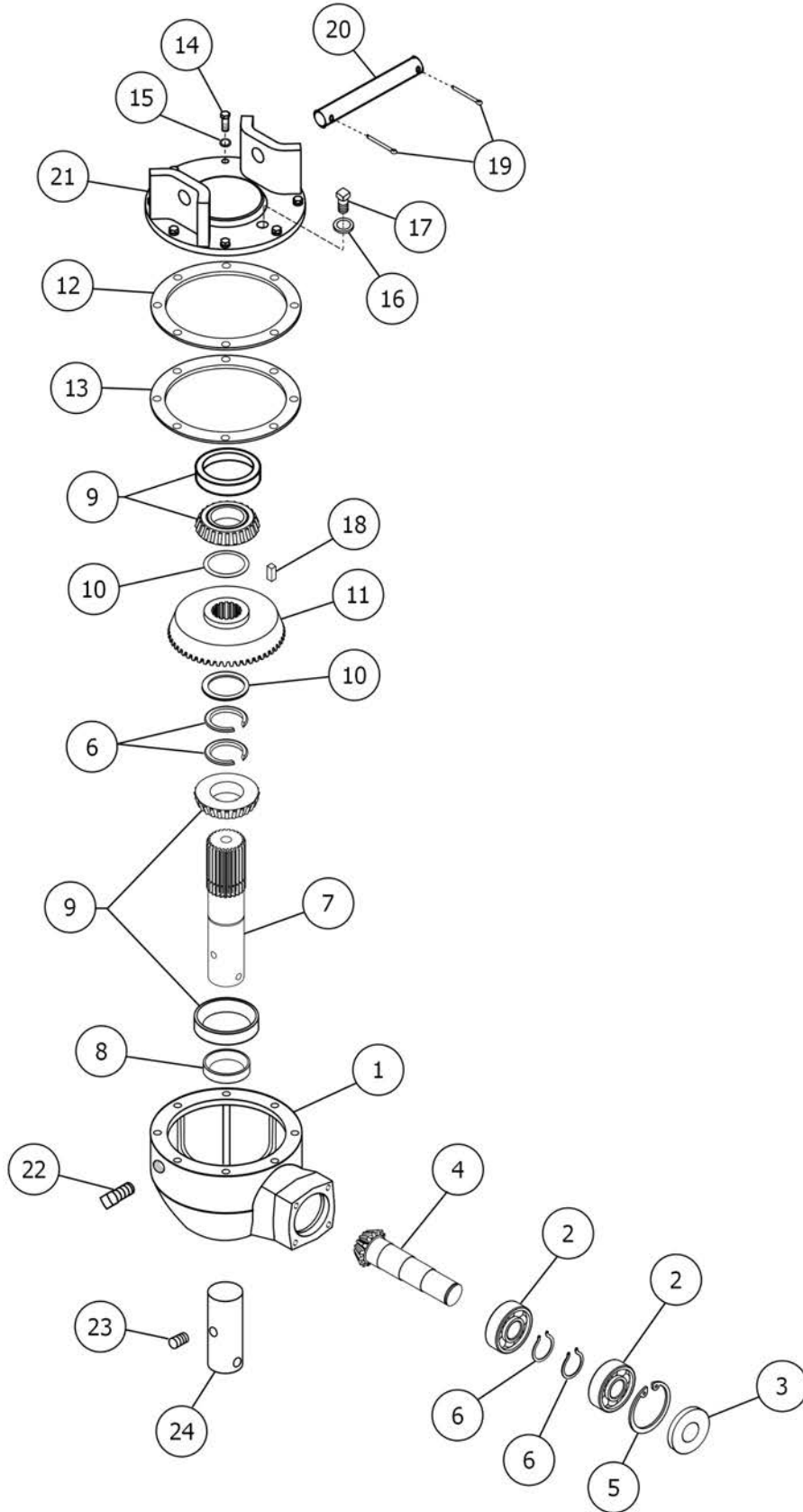
**Manual 961380B  
May 2026**



Ref.	Part #	Description	Qty.
1	503807B	Boom assembly; PHD-100	1
2	503808B	Yoke cat. 0/1; #277281 & below <sup>1</sup>	1
	0018511	Yoke cat. 1; #277282 & above	1
3	501544B	Pin, top link 1"x5.38" Z; #296542 & below <sup>2</sup>	1
	0018020	Pin, hitch Ø25x148.5 Z; #296543 & above	1
4	0018266	Lynch pin Ø11x45	2
5	0018038	Guard, gearbox	1
6	002604B	Bushing cat. 0/1; #277281 & below	2
7	0006647	Cap, guard	4
8	503869B	Bolt HH 5/16"-18x0.75" G5 Z F	8
9	1605017	Washer lock 5/16" Z	8
10	1605021	Washer flat 5/16" USS Z	8
11	0018530	Guard, auger	1
12	0001106	Nut HH M12-1.75 C6 Z MD	2
13	0001077	Washer lock Ø12 Z	2
14	0015122	Bolt HH M12-1.75x90 C8.8 Z P	2
15	106-531	Auger, 6" single flight 36" long, complete	-
	109-531	Auger, 9" double flight 36" long, complete	-
	112-531	Auger, 12" double flight 36" long, complete	-
16	7900106	6"x32" auger weldment (order complete auger)	-
	7900109	9"x32" auger weldment (order complete auger)	-
	7900112	12"x32" auger weldment (order complete auger)	-
17	0030064	Nut PT M12-1.75 C6 TK Z; 6" auger	2
	0030064	Nut PT M12-1.75 C6 TK Z; 9" auger	3
	0030064	Nut PT M12-1.75 C6 TK Z; 12" auger	5
18	501541B	Auger point, standard	-
	503928B	Auger point, fish tail	1
19	0015255	Bolt HH M12-1.75x30 C8.8 Z F; 6" auger	1
	0015255	Bolt HH M12-1.75x30 C8.8 Z F; 9" auger	2
	0015255	Bolt HH M12-1.75x30 C8.8 Z F; 12" auger	4
20	501540B	Knife, 6" auger	1
	501540B	Knife, 9" auger	2
	501540B	Knife, 12" auger	4
21	0192236	Bolt HH M12-1.75x70 C8.8 Z P	1

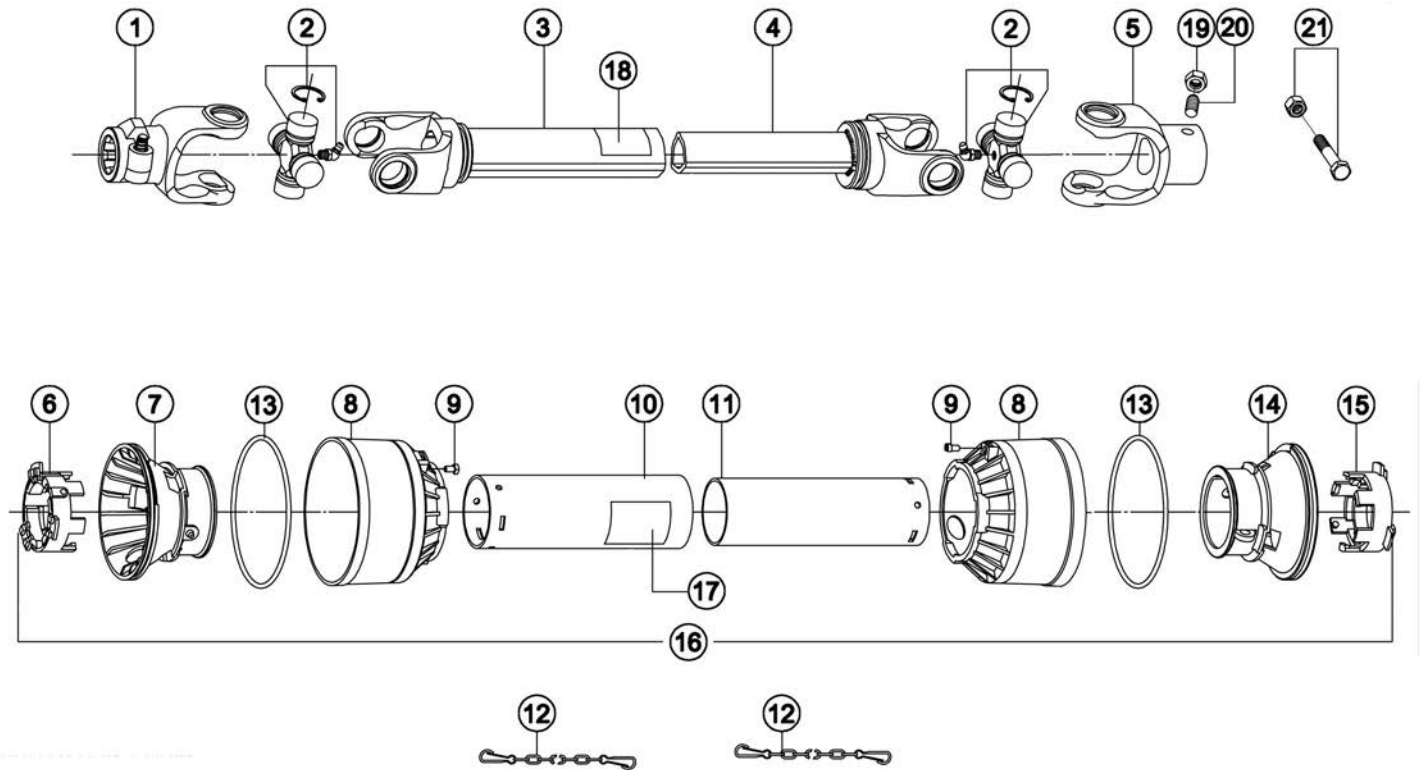
<sup>1</sup> Interchangeable with part 0018511 if PHD-100 is used on a tractor with a cat. 1 hitch.

<sup>2</sup> Pin no longer available, to replace order one (1) hitch pin 0018020 and one (1) lynch pin 0018266.



Ref.	Part #	Description	Qty.
1	503768B	Housing, gearbox; PHD-100	1
2	0025332A	Bearing 6207	2
3	0030211	Oil seal 35.72.10	1
4	503769B	Pinion gear w/shaft Z10	1
5	0025329	Snap ring, inner Ø72	1
6	0042122	Snap ring, outer Ø35	4
7	503780B	Output shaft	1
8	503435B	Oil seal 35.54.8	1
9	0007172A	Bearing 30207	2
10	503781B	Shim (0.20)	-
11	503782B	Output gear Z30	1
12	503783B	Gasket, hanger cap (0.10)	-
13	503784B	Gasket, hanger cap (0.25)	-
14	0091446	Bolt HH M08-1.25x25 C8.8 Z F	6
15	0003144	Washer lock Ø8 Z	6
16	503785B	Washer copper sealing Ø18; PHD-100 #314796 & below	1
17	503786B	Fill plug HH M18-1.25; PHD-100 #314796 & below	1
	502257B	Fill plug ½"; PHD-100 #314797 & above	1
18	503787B	Key 10x10x22	1
19	0005638	Cotter pin Ø5x50 Z	2
20	503788B	Hanger shaft	1
21	503789B	Hanger cap <sup>3</sup>	1
22	503428B	Check plug HH 1/8"	1
23	502625B	Roll pin Ø6x50	1
24	503790B	Spacer, output shaft	1
	503745B	Gearbox 540 rpm, complete; PHD-100	-
	Note:	Fill using approx. 40 fl.oz. (1.25 qt.) of SAE 90W gear oil.	

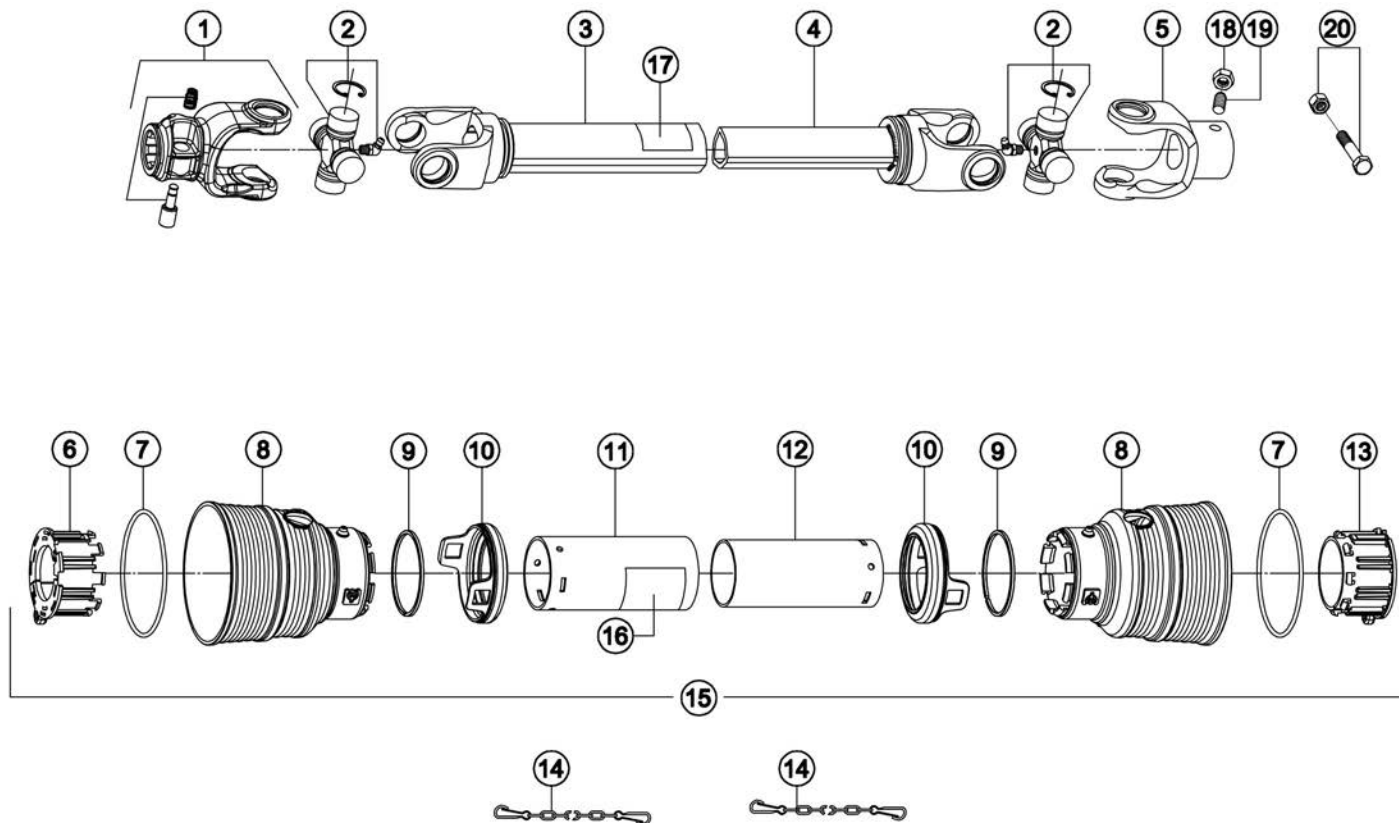
<sup>3</sup> Serial number #314796 & below must also order fill plug 502257B when ordering hanger cap.



Ref.	Part #	Description	Qty.
1	1022010C	PTO yoke (tractor end)	1
2	1002020C	Cross w/bearing	2
3	1942084NC	Outer tube w/yoke	1
4	1952086NC	Inner tube w/yoke	1
5	1072041C	PTO yoke (implement end)	1
6	1782210C	Locking ring, outer tube; #277293 & below	1
7	1784201C	Rigid cone, outer tube; #277293 & below	1
8	1784203C	Standard cone; #277293 & below	2
9	1784212C	Pin; #277293 & below	2
10	1773082C	Shield, outer tube	1
11	1872082C	Shield, inner tube	1
12	1006065C	Chain, anti-rotation	2
13	1213233C	Stiffening ring; #277293 & below	2
14	1784202C	Rigid cone, inner tube; #277293 & below	1
15	1782211C	Locking ring, inner tube; #277293 & below	1
16	90SS2082C	Shield, complete; #277293 & below <sup>4</sup>	1
17	950463B	Decal "DANGER - Rotating driveline, keep away" outer shield	1
18	950464B	Decal "DANGER - Guard missing, do not operate" outer tube	1
19	503425B	Hex nut 1/4"	1
20	501568B	Set screw 1/4"	1
21	503758B	Shear bolt with nut 1/4"x2.5" grade 2	1
	948853B	Driveline complete; PHD-100	-

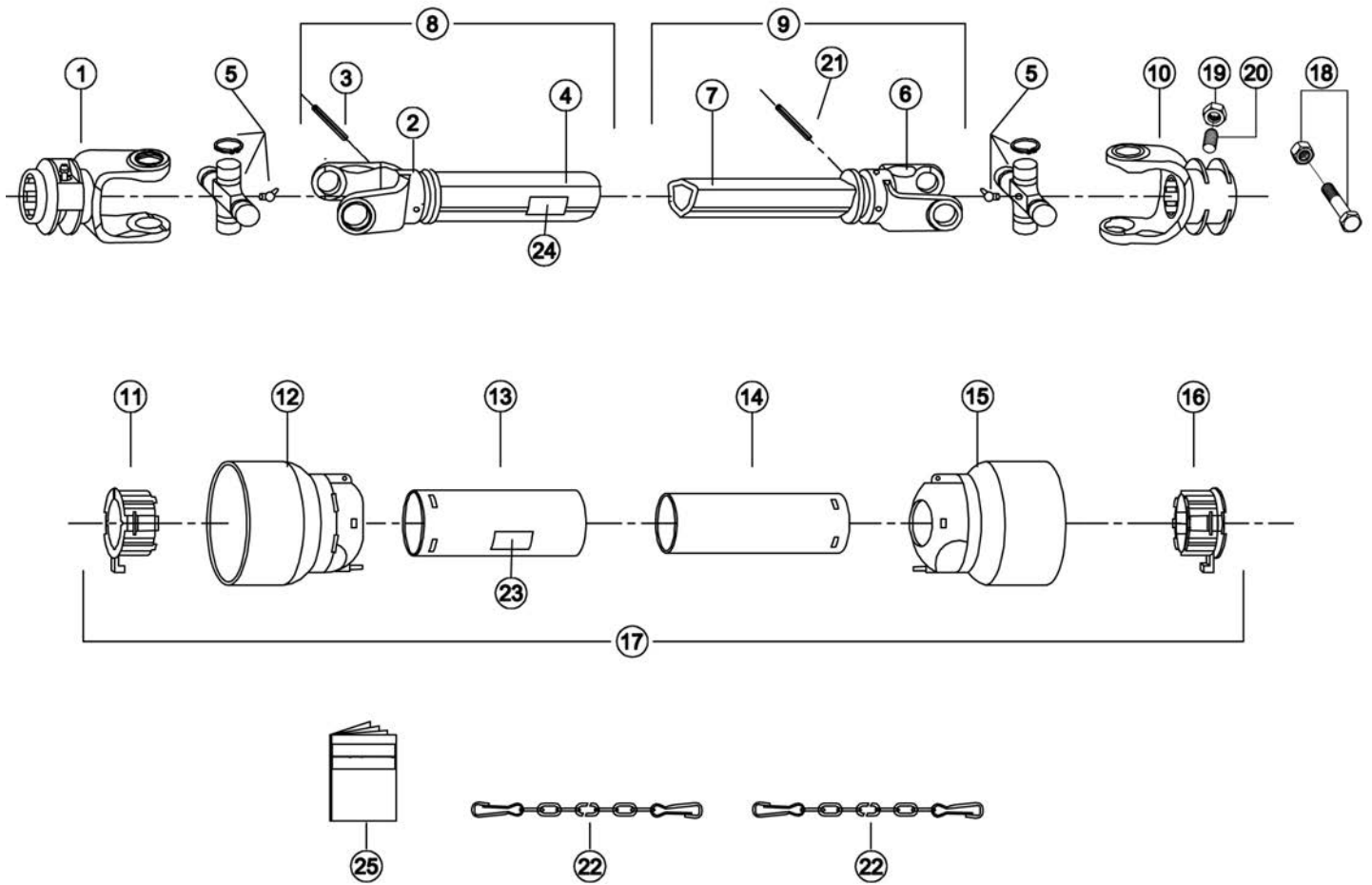
<sup>4</sup> Complete shielding is interchangeable with part 96SS2082C.

PHD-100 FROM SERIAL #277294 TO SERIAL #306749



Ref.	Part #	Description	Qty.
1	1022010C	PTO yoke (tractor end)	1
2	1002020C	Cross w/bearing	2
3	1942084NC	Outer tube w/yoke	1
4	1952086NC	Inner tube w/yoke	1
5	1072041C	PTO yoke (implement end)	1
6	1782710C	Locking ring, outer tube; from #277294 to #306749	1
7	1211733C	Stiffening ring; from #277294 to #306749	2
8	1781703C	Standard cone; from #277294 to #306749	2
9	1211735C	Safety ring; from #277294 to #306749	2
10	1881709C	Safety sleeve; from #277294 to #306749	2
11	1773082C	Shield, outer tube	1
12	1872082C	Shield, inner tube	1
13	1782711C	Locking ring, inner tube; from #277294 to #306749	1
14	1006065C	Chain, anti-rotation	2
15	96SS2082C	Shield, complete	1
16	950463B	Decal "DANGER - Rotating driveline, keep away" outer shield	1
17	950464B	Decal "DANGER - Guard missing, do not operate" outer tube	1
18	503425B	Hex nut 1/4"	1
19	501568B	Set screw 1/4"	1
20	503758B	Shear bolt with nut 1/4"x2.5" grade 2	1
	948853B	Driveline complete; PHD-100 <sup>5</sup>	-

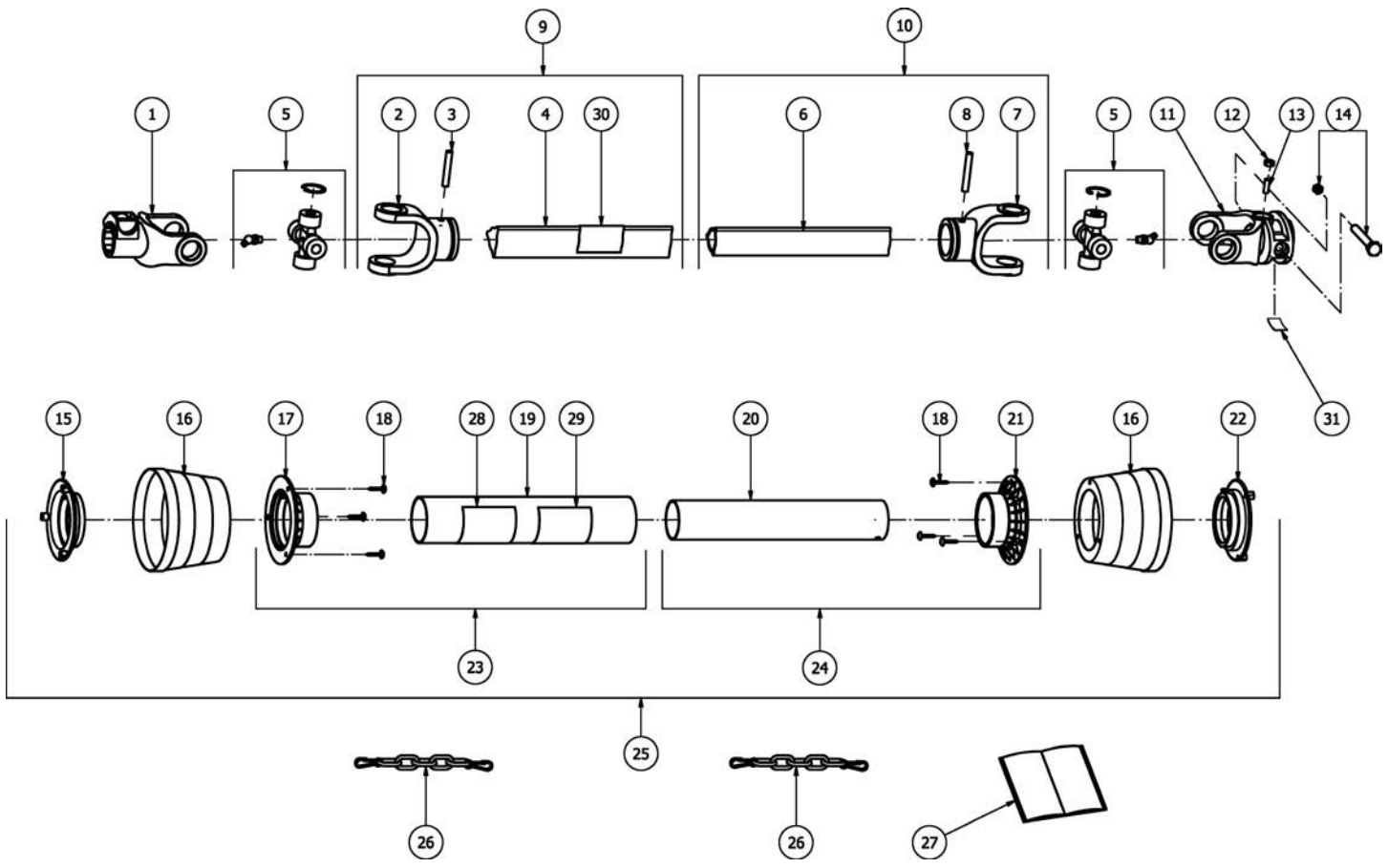
<sup>5</sup> Complete driveline is interchangeable with 0500150.



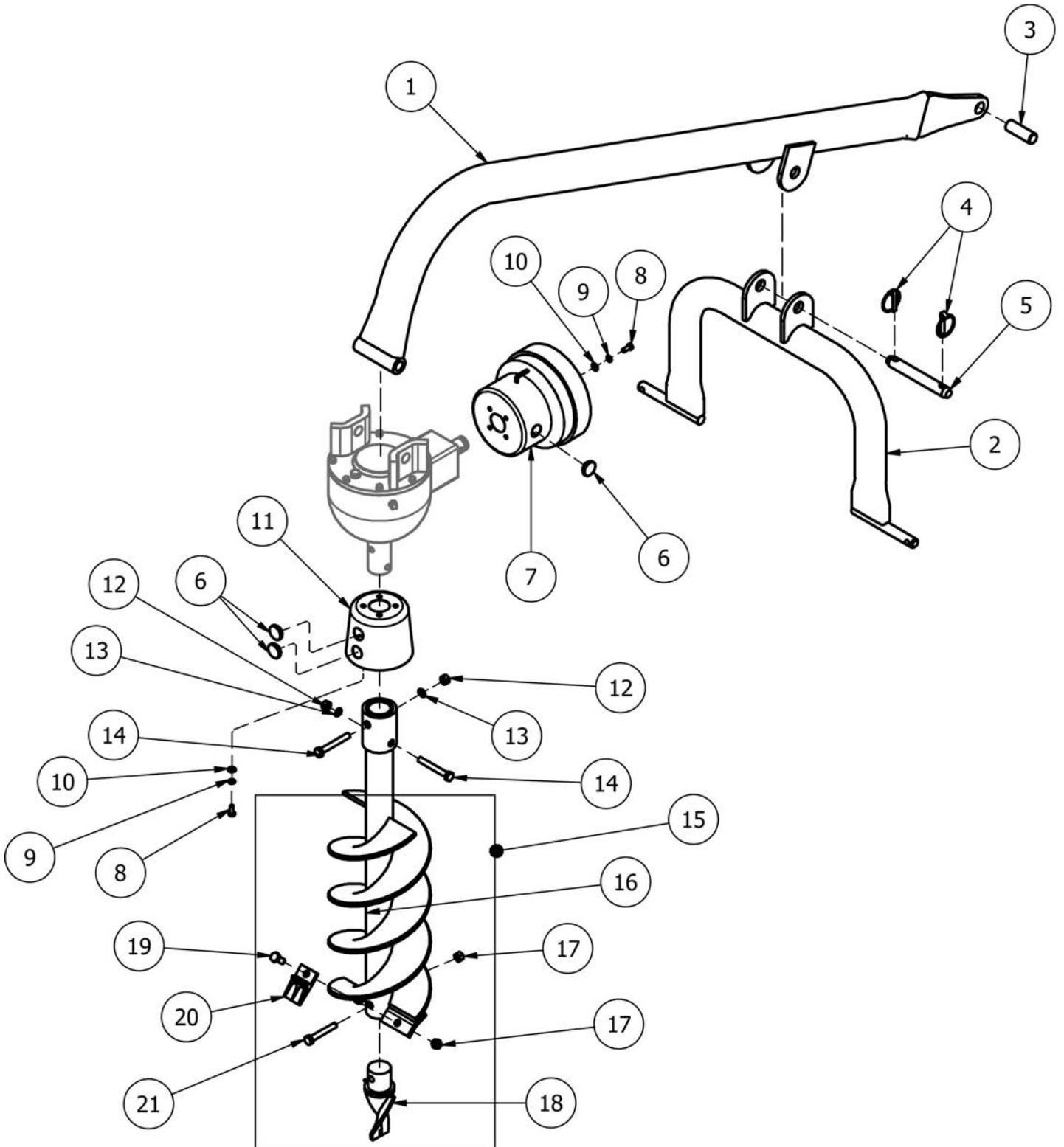
## PHD-100 FROM SERIAL #306750 TO #327531

Ref.	Part #	Description	Qty.
1	1002138A	PTO yoke (tractor end)	1
2	1902010A	Yoke, outer tube	1
3	0008679	Roll pin Ø8x55	1
4	3020902A	Outer tube	1
5	1802010A	Cross w/bearing	2
6	1902012A	Yoke, inner tube	1
7	3120902A	Inner tube	1
8	Z020902A	Outer tube w/yoke, complete	1
9	Z120902A	Inner tube w/yoke, complete	1
10	1102909A	PTO yoke (implement end)	1
11	6002010A	Locking ring, outer tube; from #306750 to #327531	1
12	6014010A	Standard cone, outer tube; from #306750 to #327531	1
13	5820842EA	Shield, outer tube; from #306750 to #327531	1
14	5820842IA	Shield, inner tube; from #306750 to #327531	1
15	6014012A	Standard cone, inner tube; from #306750 to #327531	1
16	6002012A	Locking ring, inner tube; from #306750 to #327531	1
17	P32103SSA	Shield, complete	1
18	503758B	Bolt HH 1/4"-20x2.50" G2 Z P w/nut ES 1/4"-20	1
19	503425B	Nut HH 1/4"-20 G2 Z	1
20	501568B	Set screw 1/4"-20x0.75" N	1
21	0008679	Roll pin Ø8x55	1
22	5990030A	Chain, anti-rotation	2
23	950463B	Decal "DANGER - Rotating driveline, keep away", outer shield	1
24	950464B	Decal "DANGER - Guard missing, do not operate", outer tube	1
25	8907070A	Operator's manual, driveline AMA	1
	0500150	Driveline complete; PHD-100 <sup>6</sup>	-

<sup>6</sup> Complete driveline is interchangeable with 0500155.

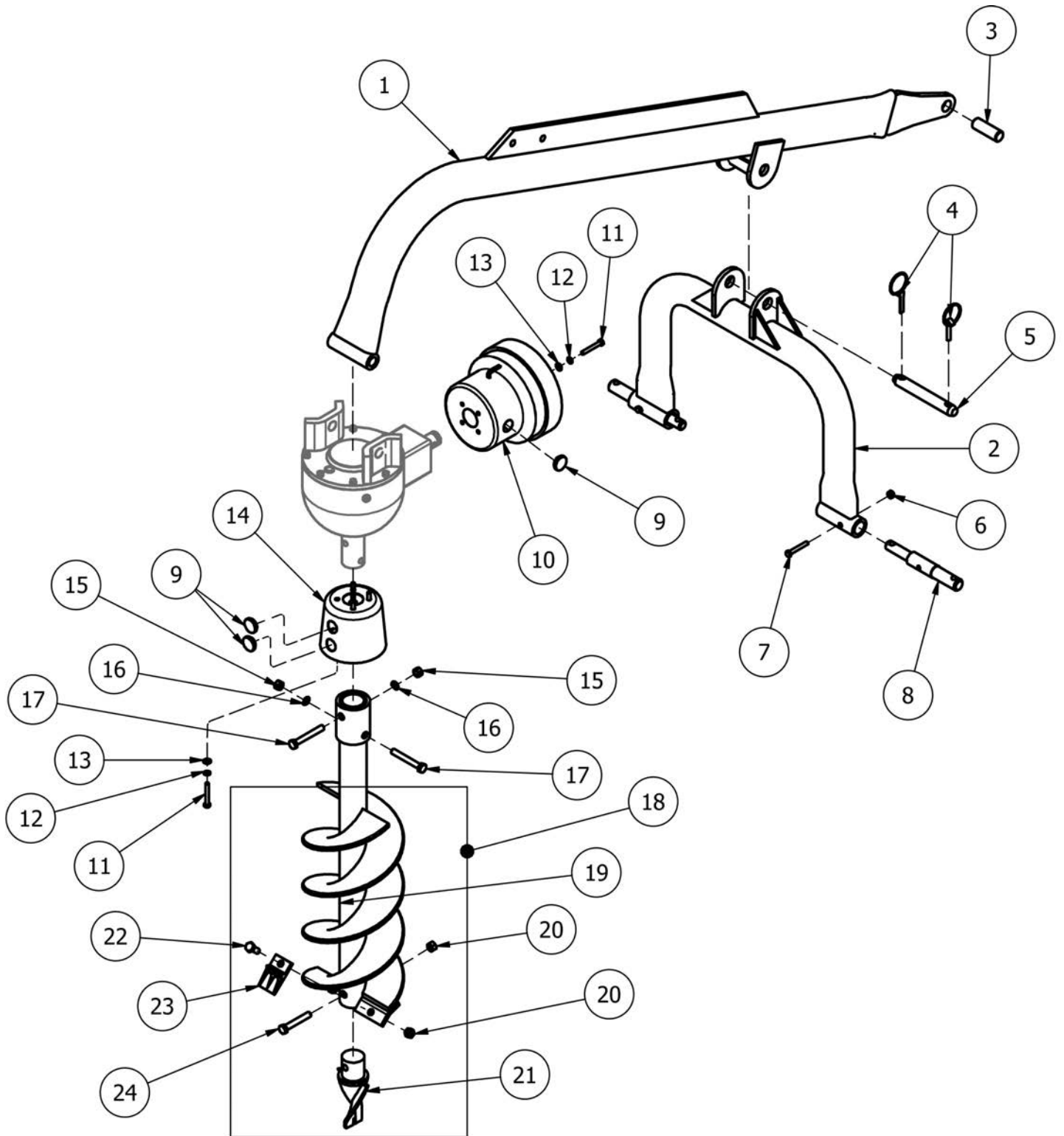


Ref.	Part #	Description	Qty.
1	0800203B	PTO yoke (tractor end)	1
2	08002021B	Yoke, outer tube	1
3	0008679	Roll pin Ø8x55	1
4	1363091AB	Outer tube	1
5	08202B	Cross w/bearing	2
6	1294091AB	Inner tube	1
7	08002011B	Yoke, inner tube	1
8	0026342	Roll pin Ø8x50	1
9	1B021032B	Outer tube w/yoke, complete	1
10	1B021031B	Inner tube w/yoke, complete	1
11	0201K58AB	PTO yoke (implement end)	1
12	503425B	Nut HH 1/4"-20 G2 Z	1
13	501568B	Set screw 1/4"-20x0.75" N	1
14	503758B	Bolt HH 1/4"-20x2.50" G2 Z P w/nut ES 1/4"-20	1
15	5502C001B	Locking ring, outer tube; #327532 & above	1
16	1902C001B	Standard cone; #327532 & above	2
17	5402C001B	Rigid cone, outer tube; #327532 & above	1
18	98052242B	Self tapping screw PN M4.8x22 Z	6
19	961NB103B	Shield, outer tube; #327532 & above	1
20	955NB103B	Shield, inner tube; #327532 & above	1
21	5402C002B	Rigid cone, inner tube; #327532 & above	1
22	5502C002B	Locking ring, inner tube; #327532 & above	1
23	4B021032B	Shield, outer tube w/cone; #327532 & above	1
24	4B021031B	Shield, inner tube w/cone; #327532 & above	1
25	3CE02103B	Shield, complete	1
26	52000001B	Chain, anti-rotation	2
27	09872101B	Operator's manual, driveline Binacchi	1
28	09872010B	Decal "rotating driveline" pictorial - ISO standard, outer shield	1
29	950463B	Decal "DANGER - Rotating driveline, keep away", outer shield	1
30	950464B	Decal "DANGER - Guard missing, do not operate", outer tube	1
31	950970B	Decal "DANGER - Entanglement hazard. Guard missing", yoke; #338885 & above	1
	0500155	Driveline, complete; PHD-100	-



Ref.	Part #	Description	Qty.
1	501534B	Boom assembly; PHD-200	1
2	501535B	Yoke; PHD-200	1
3	0018010	Bushing cat. 2-1	1
4	0018266	Lynch pin Ø11x45	2
5	501544B	Pin, top link 1"x5.38" Z; #296542 & below <sup>7</sup>	1
	0018020	Pin, hitch Ø25x148.5 Z; #296543 & above	1
6	0006647	Cap, guard	4
7	0018038	Guard, gearbox	1
8	503869B	Bolt 5/16"-18x0.75" G5 Z F	8
9	1605017	Washer lock 5/16" Z	8
10	1605021	Washer flat 5/16" USS Z	8
11	0018032	Guard, auger	1
12	0001106	Nut HH M12-1.75 C6 Z MD	2
13	0001077	Washer lock Ø12 Z	2
14	0015122	Bolt HH M12-1.75x90 C8.8 Z P	2
15	206-531	Auger, 6" single flight 48" long, complete	-
	209-531	Auger, 9" double flighted 48" long, complete	-
	212-531	Auger, 12" double flighted 48" long, complete	-
16	7900206	6"x48" auger weldment (order complete auger)	-
	7900209	9"x48" auger weldment (order complete auger)	-
	7900212	12"x48" auger weldment (order complete auger)	-
17	0030064	Nut PT M12-1.75 C6 TK Z; 6" auger	2
	0030064	Nut PT M12-1.75 C6 TK Z; 9" auger	3
	0030064	Nut PT M12-1.75 C6 TK Z; 12" auger	5
18	501541B	Auger point, standard	1
	503928B	Auger point, fish tail	1
19	0015255	Bolt HH M12-1.75x30 C8.8 Z F, 6" auger	1
	0015255	Bolt HH M12-1.75x30 C8.8 Z F, 9" auger	2
	0015255	Bolt HH M12-1.75x30 C8.8 Z F, 12" auger	4
20	501540B	Knife, 6" auger	1
	501540B	Knife, 9" auger	2
	501540B	Knife, 12" auger	4
21	0192236	Bolt HH M12-1.75x70 C8.8 Z P	1

<sup>7</sup> Pin no longer available, to replace order one (1) hitch pin 0018020 and one (1) lynch pin 0018266.

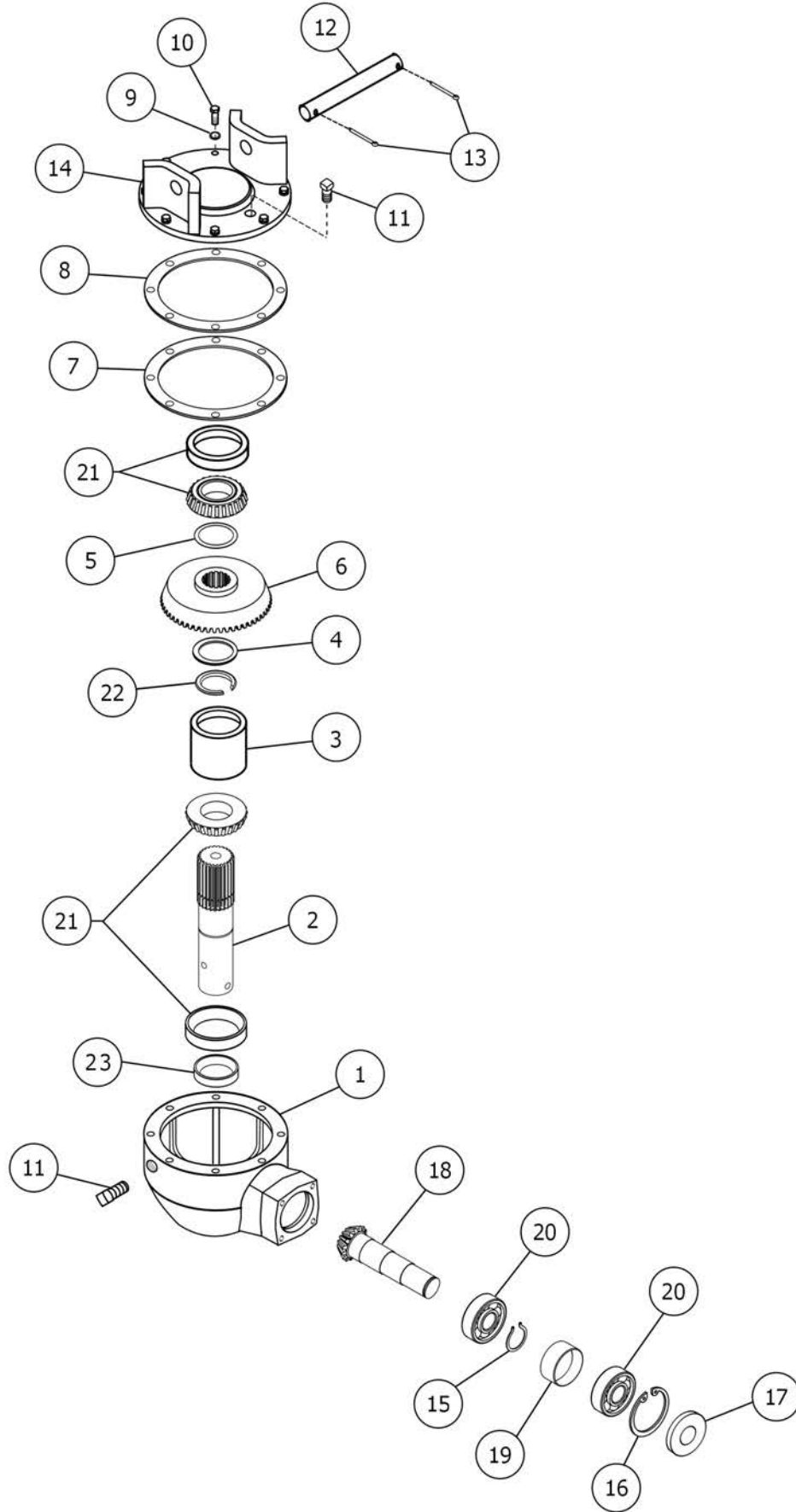


Ref.	Part #	Description	Qty.
1	501700B	Boom assembly; PHD-300	1
	503739B	Boom assembly; PHD-400	1
2	501701B	Yoke; PHD-300, PHD-400 #348884 & below <sup>8</sup>	1
	0018011	Yoke; PHD-300, PHD-400 #348885 & above	1
3	0018010	Bushing cat. 2-1	1
4	0018266	Lynch pin Ø11x45	2
5	501544B	Pin, top link 1"x5.38" Z; #296542 & below <sup>9</sup>	1
	0018020	Pin, hitch Ø25x148.5 Z; #296543 & above	1
6	502868B	Nut ES 5/16"-18 Z; PHD-300, PHD-400	2
7	503698B	Bolt HH 5/16"-18x2.25" G5 Z P; PHD-300, PHD-400	2
8	501702B	Hitch pin cat. 1-2 Ø30.5; PHD-300, PHD-400 #348884 & below	2
	0018025	Hitch pin cat. 1-2 Ø28; PHD-300, PHD-400 #348885 & above	2
9	0006647	Cap, guard	4
10	0018038	Guard, gearbox	1
11	503869B	Bolt 5/16"-18x0.75" G5 Z F	8
12	1605017	Washer lock 5/16" Z	8
13	1605021	Washer flat 5/16" USS Z	8
14	0018032	Guard, auger	1
15	0001106	Nut HH M12-1.75 C6 Z MD	2
16	0001077	Washer lock Ø12 Z	2
17	0015122	Bolt HH M12-1.75x90 C8.8 Z P	2
18	218-531	Auger, 18" double flighted 48" long, complete <sup>10</sup>	-
	224-531	Auger, 24" double flighted 48" long, complete	-
	230-531	Auger, 30" double flighted 44" long, complete	-
19	7900218	18"x48" auger weldment (order complete auger)	-
	7900224	24"x48" auger weldment (order complete auger)	-
	7900230	30"x44" auger weldment (order complete auger)	-
20	0030064	Nut PT M12-1.75 C6 TK Z; 18" Auger	7
	0030064	Nut PT M12-1.75 C6 TK Z; 24" Auger	9
	0030064	Nut PT M12-1.75 C6 TK Z; 30" Auger	13
21	501541B	Auger point, standard	1
	503928B	Auger point, fish tail	1
22	0015255	Bolt HH M12-1.75x30 C8.8 Z F, 18" Auger	6
	0015255	Bolt HH M12-1.75x30 C8.8 Z F, 24" Auger	8
	0015255	Bolt HH M12-1.75x30 C8.8 Z F, 30" Auger	12
23	501540B	Knife, 18" Auger	6
	501540B	Knife, 24" Auger	8
	501540B	Knife, 30" Auger	12
24	0192236	Bolt HH M12-1.75x70 C8.8 Z P	1
	0015122	Bolt HH M12-1.75x90 C8.8 Z P, 30" auger only	1

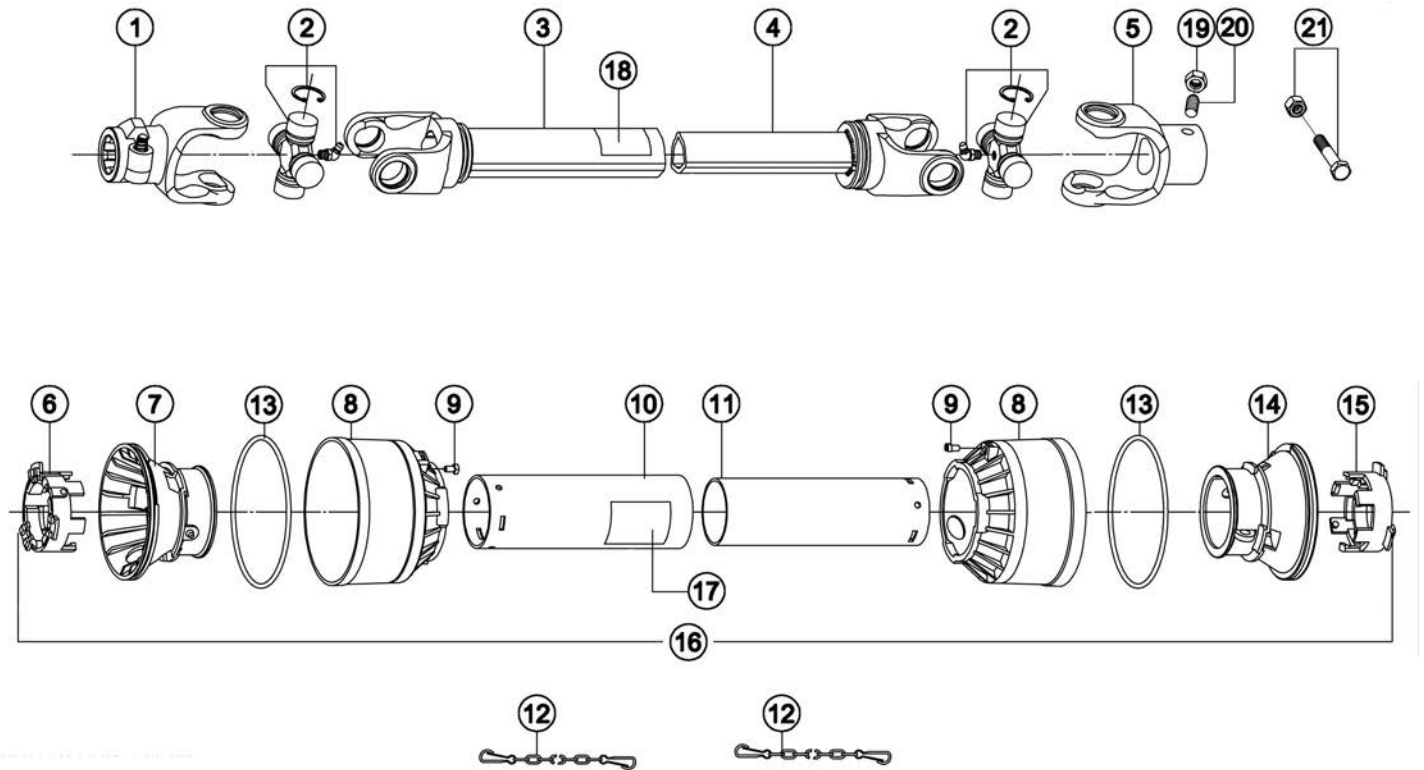
<sup>8</sup> Yoke no longer available, to replace order one (1) yoke 0018011 and two (2) hitch pins 0018025.

<sup>9</sup> Pin no longer available, to replace order one (1) hitch pin 0018020 and one (1) lynch pin 0018266.

<sup>10</sup> For references on 6", 9", 12" augers see PHD-200 frame page.



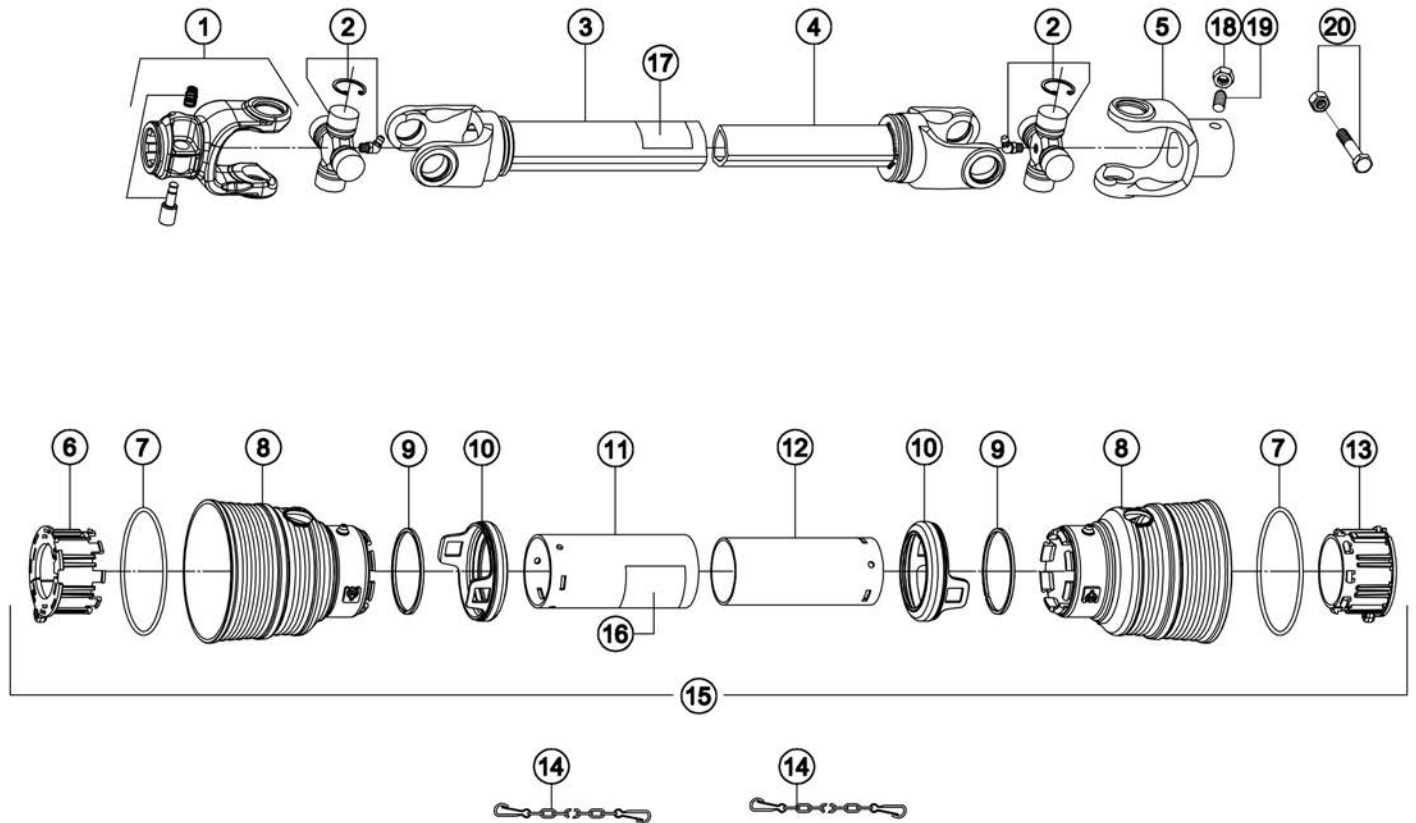
Ref.	Part #	Description	Qty.
1	502272B	Housing, gearbox; PHD-200	1
	502248B	Housing, gearbox; PHD-300	1
	503725B	Housing, gearbox; PHD-400	1
2	502273B	Output shaft; PHD-200	1
	502249B	Output shaft; PHD-300	1
	503733B	Output shaft; PHD-400	1
3	502274B	Spacer, output bearing; PHD-200	1
	502250B	Spacer, output bearing; PHD-300	1
	503735B	Spacer, output bearing; PHD-400	1
4	502251B	Shim (0.30)	-
5	502252B	Shim (0.50)	-
6	502275B	Output gear Z33; PHD-200	1
	502253B	Output gear Z38; PHD-300	1
	503736B	Output gear Z44; PHD-400	1
7	502276B	Gasket, hanger cap (0.10); PHD-200	-
	502254B	Gasket, hanger cap (0.10); PHD-300	-
	503728B	Gasket, hanger cap (0.10); PHD-400	-
8	502277B	Gasket, hanger cap (0.25); PHD-200	-
	502255B	Gasket, hanger cap (0.25); PHD-300	-
	503729B	Gasket, hanger cap (0.25); PHD-400	-
9	0001280	Washer lock Ø10	8
10	0001278	Bolt HH M10-1.50x30 C8.8 Z F	8
11	502257B	Fill plug ½"	2
12	502258B	Hanger shaft	1
13	0005638	Cotter pin Ø5x50 Z	2
14	502278B	Hanger cap; PHD-200	1
	502260B	Hanger cap; PHD-300	1
	503727B	Hanger cap; PHD-400	1
15	0042122	Snap ring, outer Ø35	1
16	0025329	Snap ring, inner Ø72	1
17	0030211	Oil seal 35.72.10	1
18	502281B	Pinion gear w/shaft Z11; PHD-200	1
	502265B	Pinion gear w/shaft Z11; PHD-300	1
	503731B	Pinion gear w/shaft Z11; PHD-400	1
19	502266B	Spacer	1
20	0025332A	Bearing 6207	2
21	0004539	Bearing 30210	2
22	502269B	Snap ring, outer Ø46	1
23	502270B	Oil seal 50.70.12	1
	502282B	Gearbox 540 rpm, complete; PHD-200	-
	Note:	Fill using approx. 64 fl.oz. (2 qt.) of SAE 90W gear oil.	
	502271B	Gearbox 540 rpm, complete; PHD-300	-
	Note:	Fill using approx. 112 fl.oz. (3.5 qt.) of SAE 90W gear oil.	
	503724B	Gearbox 540 rpm, complete; PHD-400	-
	Note:	Fill using approx. 160 fl.oz. (5 qt.) of SAE 90W gear oil.	



Ref.	Part #	Description	Qty.
1	1023010C	PTO yoke (tractor end)	1
2	1003020C	Cross w/bearing	2
3	1943107NC	Outer tube w/yoke	1
4	1953109NC	Inner tube w/yoke	1
5	1073040C	PTO yoke (implement end)	1
6	1784210C	Locking ring, outer tube; #272800 & below	1
7	1784201C	Rigid cone, outer tube; #272800 & below	1
8	1784203C	Standard cone; #272800 & below	2
9	1784212C	Pin; #272800 & below	2
10	1773105C	Shield, outer tube	1
11	1872105C	Shield, inner tube	1
12	1006065C	Chain, anti-rotation	2
13	1213233C	Stiffening ring; #272800 & below	2
14	1784202C	Rigid cone, inner tube; #272800 & below	1
15	1784211C	Locking ring, inner tube; #272800 & below	1
16	90SS4105C	Shield, complete; #272800 & below <sup>11</sup>	1
17	950463B	Decal "DANGER - Rotating driveline, keep away" outer shield	1
18	950464B	Decal "DANGER - Guard missing, do not operate" outer tube	1
19	503425B	Hex nut 1/4"	1
20	501568B	Set screw 1/4"	1
21	503254B	Shear bolt and nut 3/8"x3" grade 2	1
	0500452	Driveline complete; PHD-200, 300, 400	-

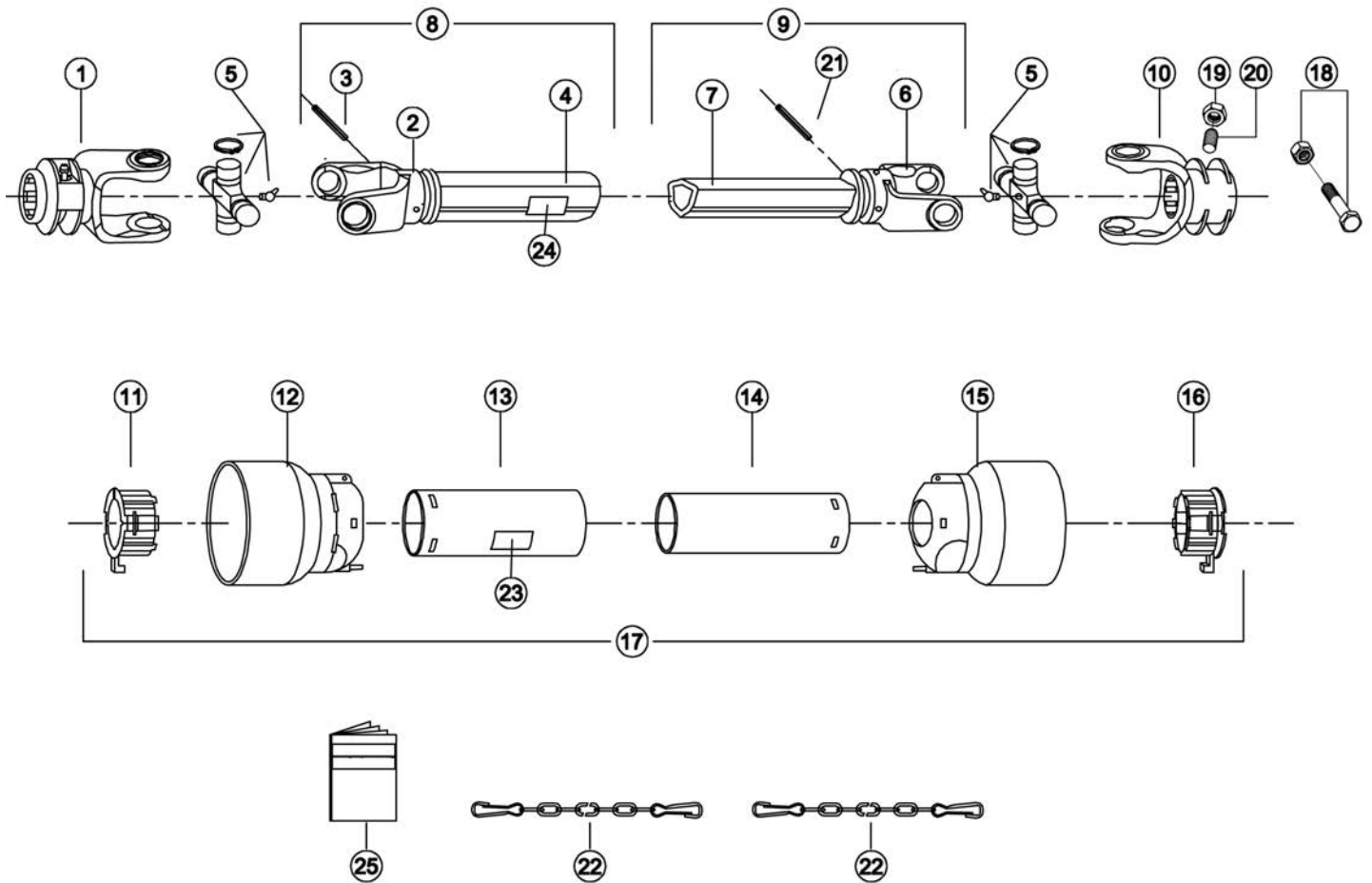
<sup>11</sup> Complete shielding is interchangeable with part 96SS4105C.

PHD-200, PHD-300, PHD-400 FROM SERIAL #272801 TO #306749



Ref.	Part #	Description	Qty.
1	1023010C	PTO yoke (tractor end)	1
2	1003020C	Cross w/bearing	2
3	1943107NC	Outer tube w/yoke	1
4	1953109NC	Inner tube w/yoke	1
5	1073040C	PTO yoke (implement end)	1
6	1784710C	Locking ring, outer tube; from #272801 to #306749	1
7	1211733C	Stiffening ring; from #272801 to #306749	2
8	1781703C	Standard cone; from #272801 to #306749	2
9	1211735C	Safety ring; from #272801 to #306749	2
10	1881709C	Safety sleeve; from #272801 to #306749	2
11	1773105C	Shield, outer tube	1
12	1872105C	Shield, inner tube	1
13	1784711C	Locking ring, inner tube; from #272801 to #306749	1
14	1006065C	Chain, anti-rotation	2
15	96SS4105C	Shield, complete	1
16	950463B	Decal "DANGER - Rotating driveline, keep away" outer shield	1
17	950464B	Decal "DANGER - Guard missing, do not operate" outer tube	1
18	503425B	Hex nut 1/4"	1
19	501568B	Set screw 1/4"	1
20	503254B	Shear bolt and nut 3/8"x3" grade 2	1
	0500452	Driveline complete; PHD-200, 300, 400 <sup>12</sup>	-

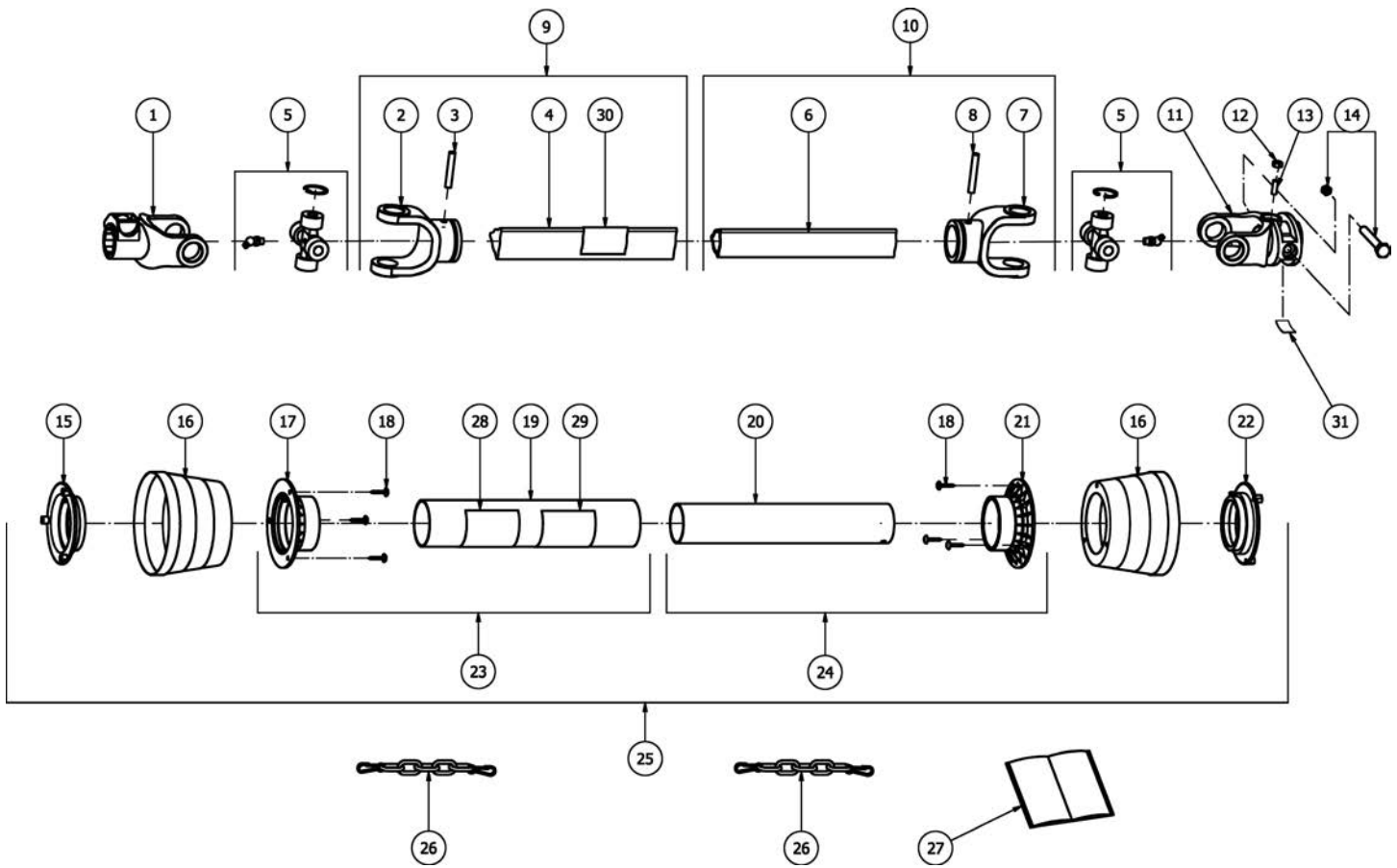
<sup>12</sup> Complete driveline is interchangeable with 0500151.



## PHD-200, PHD-300, PHD-400 FROM SERIAL #306750 TO #327531

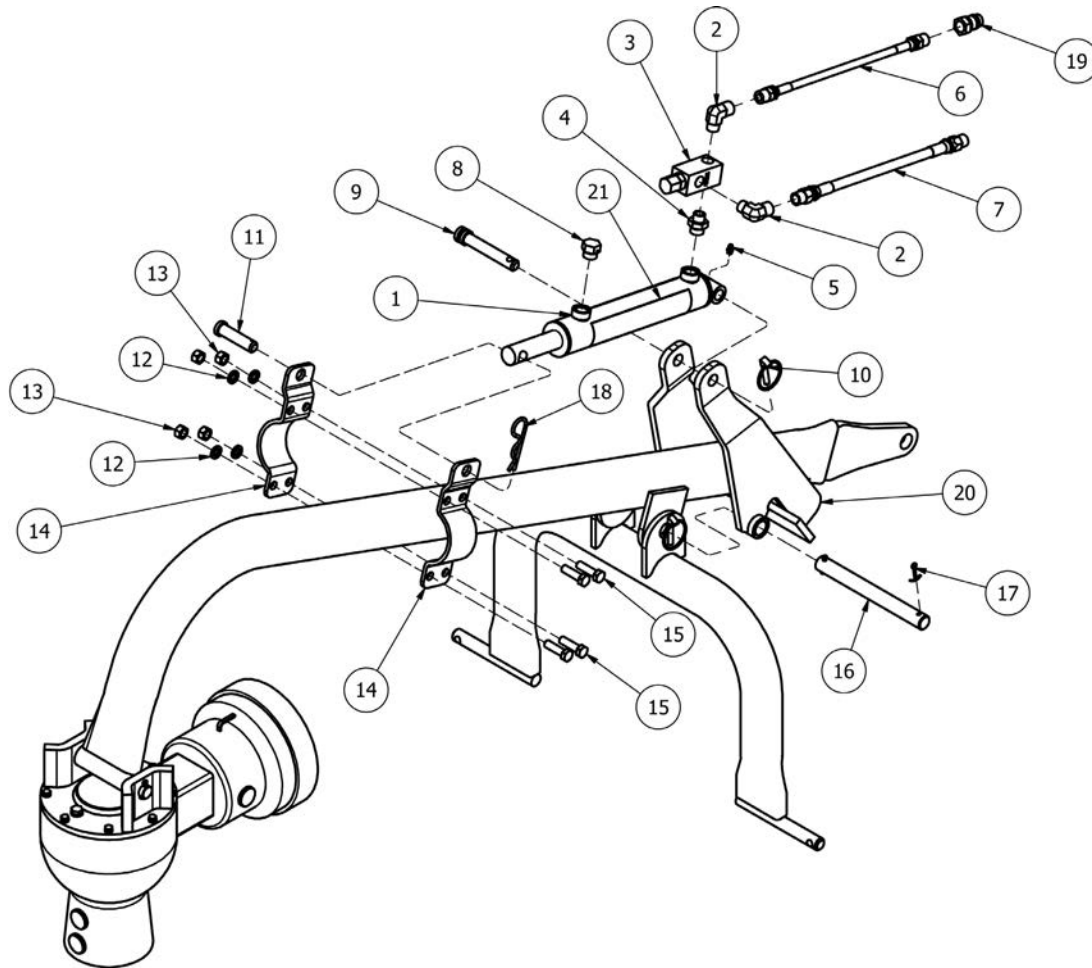
Ref.	Part #	Description	Qty.
1	1003138A	PTO yoke (tractor end)	1
2	1903010A	Yoke, outer tube	1
3	0018047	Roll pin Ø8x65	1
4	3031106A	Outer tube	1
5	1803010A	Cross w/bearing	2
6	1903012A	Yoke, inner tube	1
7	3131106A	Inner tube	1
8	Z031106A	Outer tube w/yoke, complete	1
9	Z131106A	Inner tube w/yoke, complete	1
10	1103909A	PTO yoke (implement end)	1
11	6004010A	Locking ring, outer tube; from #306750 to #327531	1
12	6014010A	Standard cone, outer tube; from #306750 to #327531	1
13	5831046EA	Shield, outer tube; from #306750 to #327531	1
14	5831046IA	Shield, inner tube; from #306750 to #327531	1
15	6014012A	Standard cone, inner tube; from #306750 to #327531	1
16	6004012A	Locking ring, inner tube; from #306750 to #327531	1
17	P33125SSA	Shield, complete	1
18	503254B	Bolt HH 3/8"-16x3.00" G2 Z P w/nut ES 3/8"-16	1
19	503425B	Nut HH 1/4"-20 G2 Z	1
20	501568B	Set screw 1/4"-20x0.75" N	1
21	0018044	Roll pin Ø8x60	1
22	5990030A	Chain, anti-rotation	2
23	950463B	Decal "DANGER - Rotating driveline, keep away", outer shield	1
24	950464B	Decal "DANGER - Guard missing, do not operate", outer tube	1
25	8907070A	Operator's manual, driveline AMA	1
	0500151	Driveline complete; PHD-200, PHD-300, PHD-400 <sup>13</sup>	-

<sup>13</sup> Complete driveline is interchangeable with 0500156.



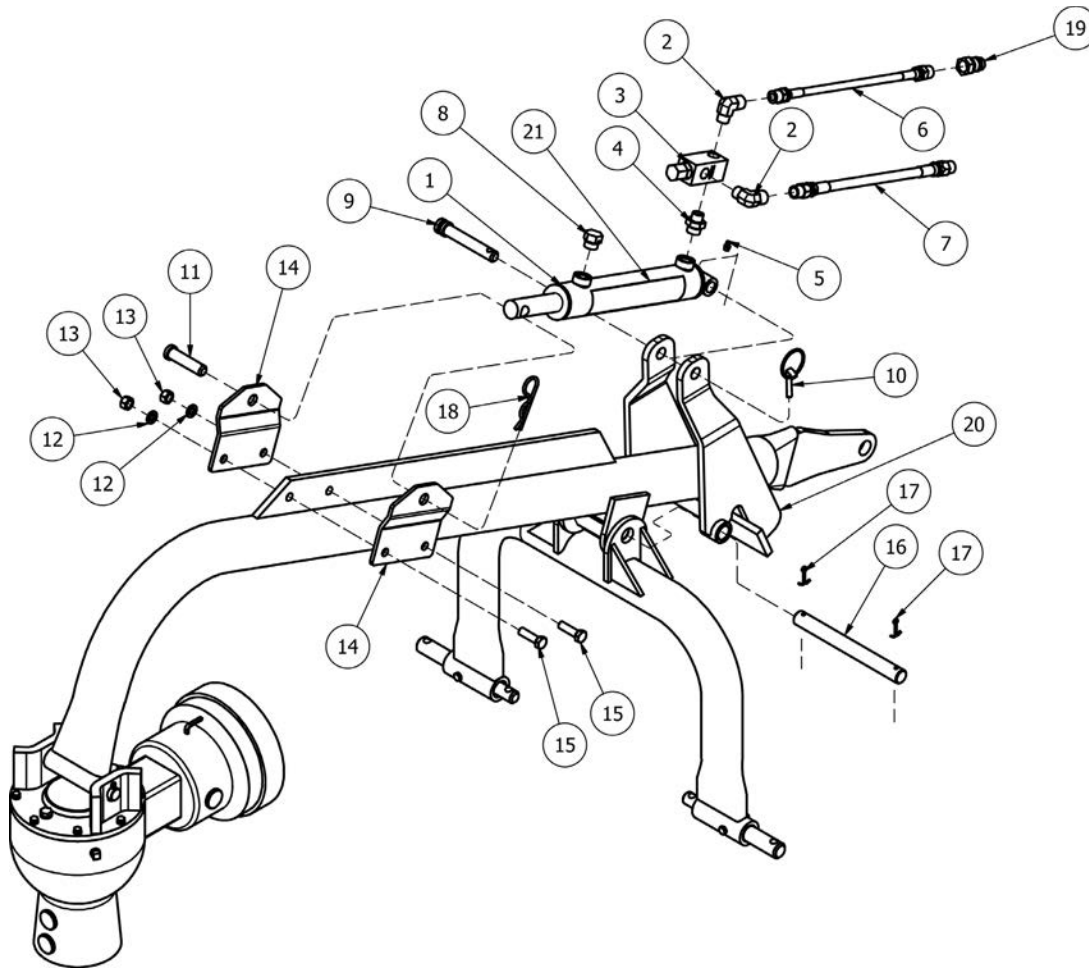
## PHD-200, PHD-300, PHD-400 SERIAL #327532 &amp; ABOVE

Ref.	Part #	Description	Qty.
1	0800303AB	PTO yoke (tractor end)	1
2	08003021B	Yoke, outer tube	1
3	0018044	Roll pin Ø8x60	1
4	1433112AB	Outer tube	1
5	08203B	Cross w/bearing	2
6	1364112AB	Inner tube	1
7	08003011B	Yoke, inner tube	1
8	0008679	Roll pin Ø8x55	1
9	1B031252B	Outer tube w/yoke, complete	1
10	1B031251B	Inner tube w/yoke, complete	1
11	0301K58AB	PTO yoke (implement end)	1
12	503425B	Nut HH 1/4"-20 G2 Z	1
13	501568B	Set screw 1/4"-20x0.75" N	1
14	503254B	Bolt HH 3/8"-16x3.00" G2 Z P w/nut ES 3/8"-16	1
15	5504C001B	Locking ring, outer tube; #327532 & above	1
16	1904C001B	Standard cone; #327532 & above	2
17	5404C001B	Rigid cone, outer tube; #327532 & above	1
18	98052242B	Self tapping screw PN M4.8x22 Z	6
19	966NB125B	Shield, outer tube; #327532 & above	1
20	961NB125B	Shield, inner tube; #327532 & above	1
21	5404C002B	Rigid cone, inner tube; #327532 & above	1
22	5504C002B	Locking ring, inner tube; #327532 & above	1
23	4B031262B	Shield, outer tube w/cone; #327532 & above	1
24	4B031261B	Shield, inner tube w/cone; #327532 & above	1
25	3CE03125B	Shield, complete	1
26	52000001B	Chain, anti-rotation	2
27	09872101B	Operator's manual, driveline Binacchi	1
28	09872010B	Decal "rotating driveline" pictorial - ISO standard, outer shield	1
29	950463B	Decal "DANGER - Rotating driveline, keep away", outer shield	1
30	950464B	Decal "DANGER - Guard missing, do not operate", outer tube	1
31	950970B	Decal "DANGER - Entanglement hazard. Guard missing", yoke; #338885 & above	1
	0500156	Driveline, complete; PHD-200, PHD-300, PHD-400	-



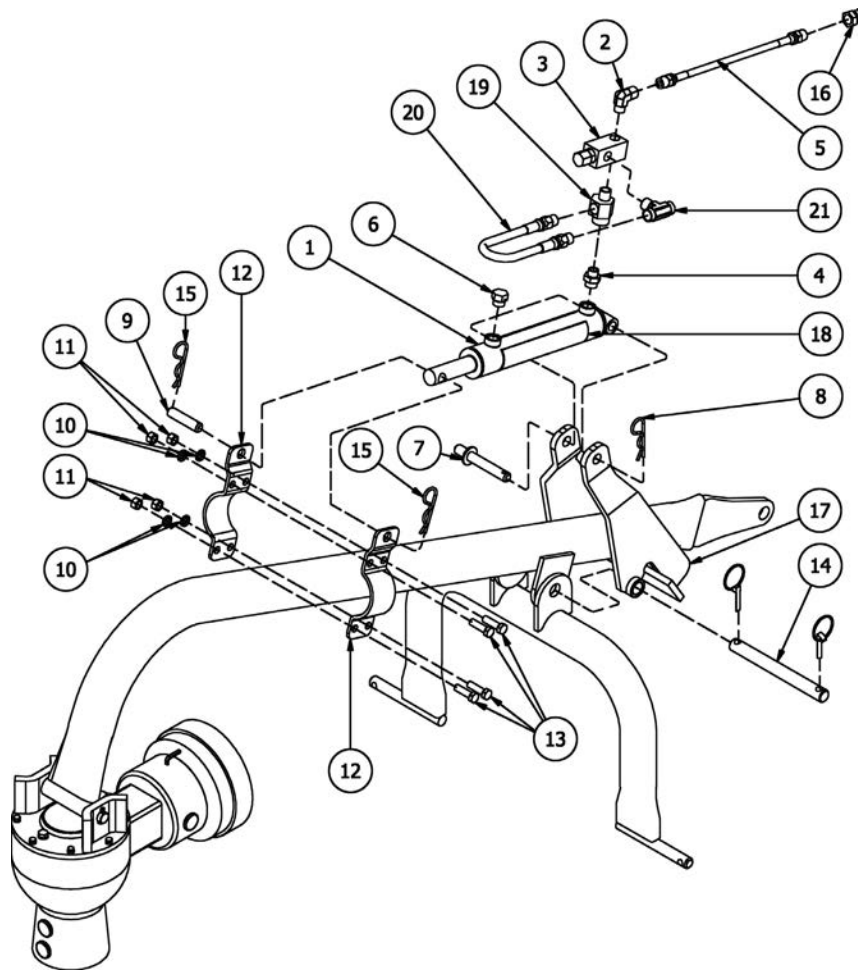
Ref.	Part #	Description	Qty.
1	503824B	Hydraulic cylinder <sup>14</sup>	1
2	7900008	90° Elbow 1/2" FNPTx1/2" MNPT	2
3	503823B	Relief valve	1
4	7900009	Adapter STR. 1/2" MNPT-3/4" MORB	1
5	502447B	Fitting, grease 1/4" PR STR Z	1
6	503825B	Hydraulic hose 1/4"x40", 1/2" MPx1/2" MP	1
7	503826B	Hydraulic hose 3/8"x40", 1/2" MPx1/2" MP	1
8	503953B	Breather plug 3/8" MORB	1
9	503835B	Pin Ø3/4"x3.875"	1
10	0018266	Lynch pin Ø11x45	1
11	503833B	Pin Ø3/4"x3"	1
12	0052892	Washer lock 1/2" Z	4
13	502418B	Nut HH 1/2"-13 G2 Z	4
14	503954B	Mounting plate, down pressure kit; PHD-200	2
15	503700B	Bolt HH 1/2"-13x1.75" G5 Z F	4
16	503832B	Pin Ø1"x9.75"	1
17	0005638	Cotter pin Ø5x50 Z	2
18	503834B	Hairpin cotter Ø0.13"x2.50" Z	1
19	502170B	1/2" Quick connector nipple 1/2" FP	1
20	503863B	Support, down pressure kit	1
21	950408B	Decal "WARNING - High pressure hydraulic oil leaks"	1
	PHD-005	Hydraulic down pressure kit, complete; PHD-200	-

<sup>14</sup> Hydraulic cylinder is interchangeable with 0018152.

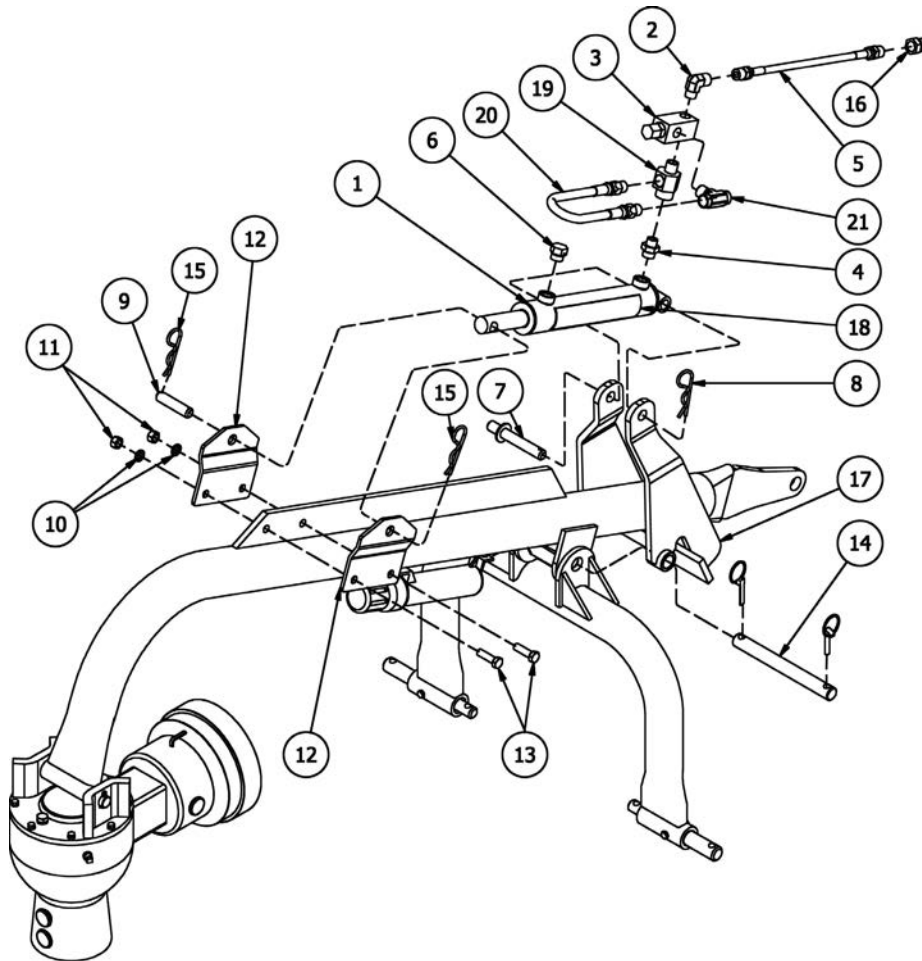


Ref.	Part #	Description	Qty.
1	503824B	Hydraulic cylinder <sup>15</sup>	1
2	7900008	90° Elbow 1/2" FNPTx1/2" MNPT	2
3	503823B	Relief valve	1
4	7900009	Adapter STR. 1/2" MNPT-3/4" MORB	1
5	502447B	Fitting, grease 1/4" PR STR Z	1
6	503825B	Hydraulic hose 1/4"x40", 1/2" MPx1/2" MP	1
7	503826B	Hydraulic hose 3/8"x40", 1/2" MPx1/2" MP	1
8	503953B	Breather plug 3/8" MORB	1
9	503835B	Pin Ø3/4"x3.875"	1
10	0018266	Lynch pin Ø11x45	1
11	503833B	Pin Ø3/4"x3"	1
12	0052892	Washer lock 1/2" Z	2
13	502418B	Nut HH 1/2"-13 G2 Z	2
14	503845B	Mounting plate, down pressure kit; PHD-300, PHD-400	2
15	503700B	Bolt HH 1/2"-13x1.75" G5 Z F	2
16	503832B	Pin Ø1"x9.75"	1
17	0005638	Cotter pin Ø5x50 Z	2
18	503834B	Hairpin cotter Ø0.13"x2.50" Z	1
19	502170B	1/2" Quick connector nipple 1/2" FP	1
20	503863B	Support, down pressure kit	1
21	950408B	Decal "WARNING - High pressure hydraulic oil leaks"	1
	PHD-002	Hydraulic down pressure kit, complete; PHD-300, PHD-400	-

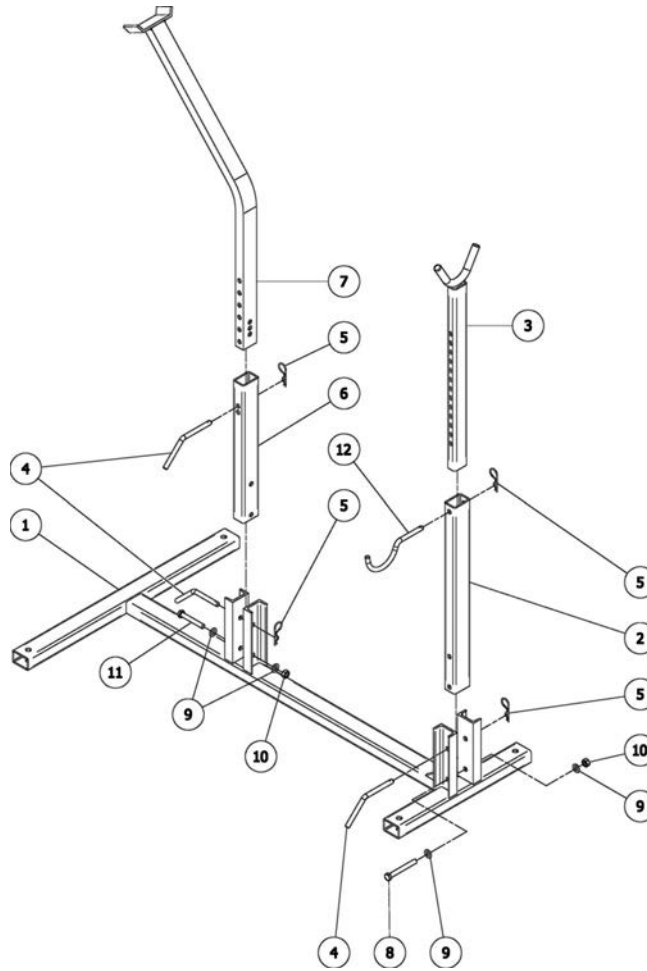
<sup>15</sup> Hydraulic cylinder is interchangeable with 0018152.



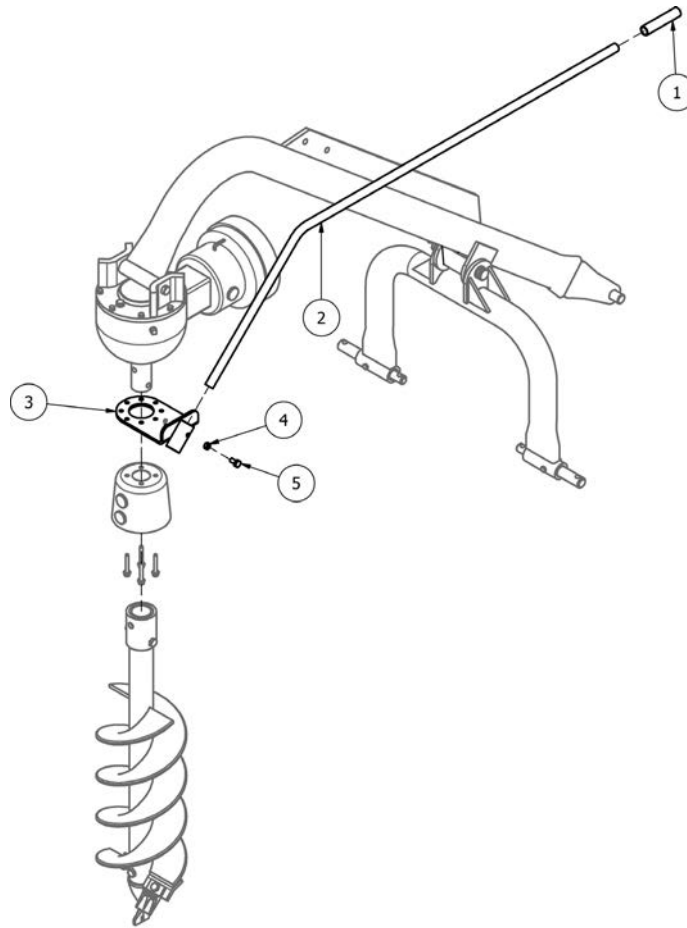
Ref.	Part #	Description	Qty.
1	0018152	Hydraulic cylinder	1
2	7900008	90° Elbow 1/2" FNPTx1/2" MNPT	1
3	503823B	Relief valve	1
4	7900009	Adapter STR. 1/2" MNPT-3/4" MORB	1
5	503825B	Hydraulic hose 1/4"x40", 1/2" MPx1/2" MP	1
6	503953B	Breather plug 3/4"-16 MORB	1
7	503835B	Pin Ø3/4"x3.875"; (until 01/2018)	1
	502933B	Pin, top hitch Ø19x140 Z (since 02/2018)	1
8	0018266	Lynch pin Ø11x45; (until 01/2018)	1
	0091507	Hairpin cotter Ø4 Z; (since 02/2018)	1
9	503833B	Pin Ø3/4"x3"	1
10	0001077	Washer lock Ø12 Z	4
11	0003038	Nut HH M12-1.75 C6 Z TK	4
12	503954B	Mounting plate, down pressure kit; PHD-200	2
13	0007716	Bolt HH M12-1.75x45 C8.8 Z F	4
14	503832B	Pin Ø1"x9.75"	1
15	0015240	Hairpin cotter Ø3 Z	2
16	502170B	1/2" Quick connector nipple 1/2" FP	1
17	503863B	Support, down pressure kit	1
18	950408B	Decal "WARNING - High pressure hydraulic oil leaks"	1
19	0018161	Shuttle valve	1
20	0018151	Hydraulic hose 3/8"x22" 1/2" MPx1/2" MP	1
21	0018158	Tee 1/2" MNPTx1/2" FNPTx1/2" FNPT	1
	009-9154	Hydraulic down pressure kit w/up relief, complete; PHD-200	-



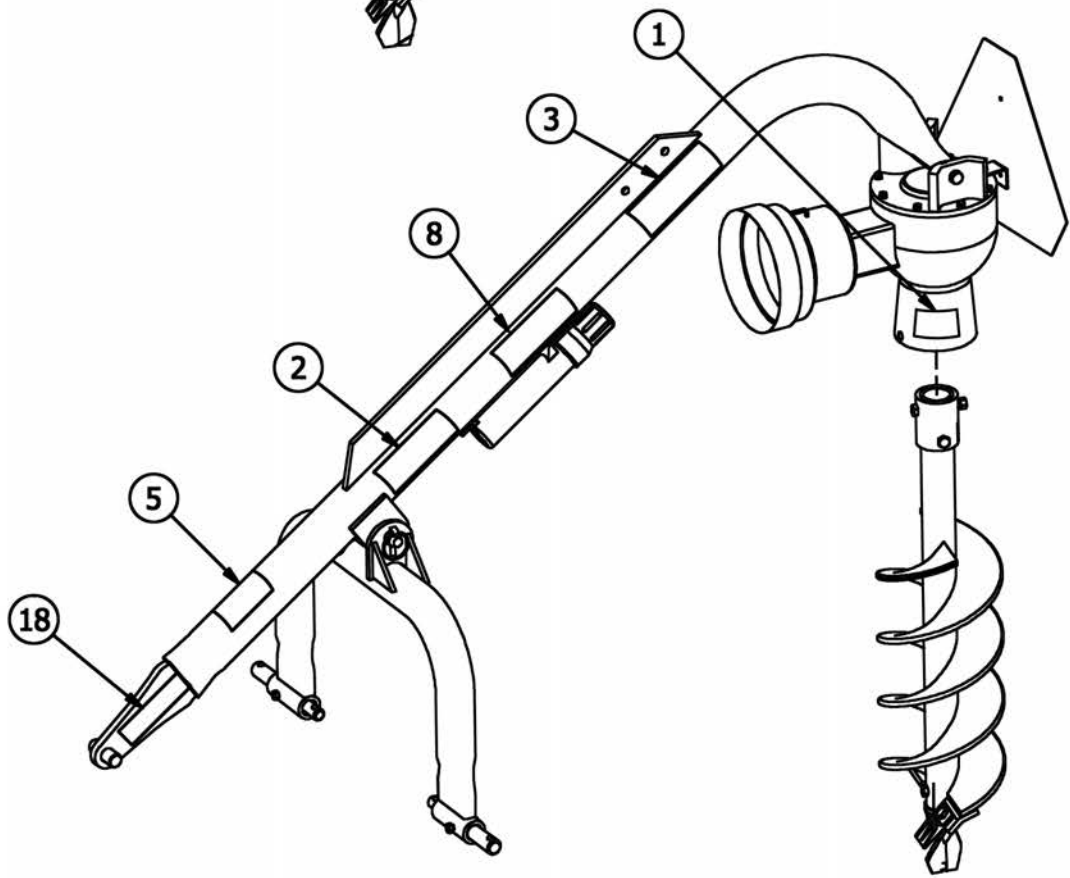
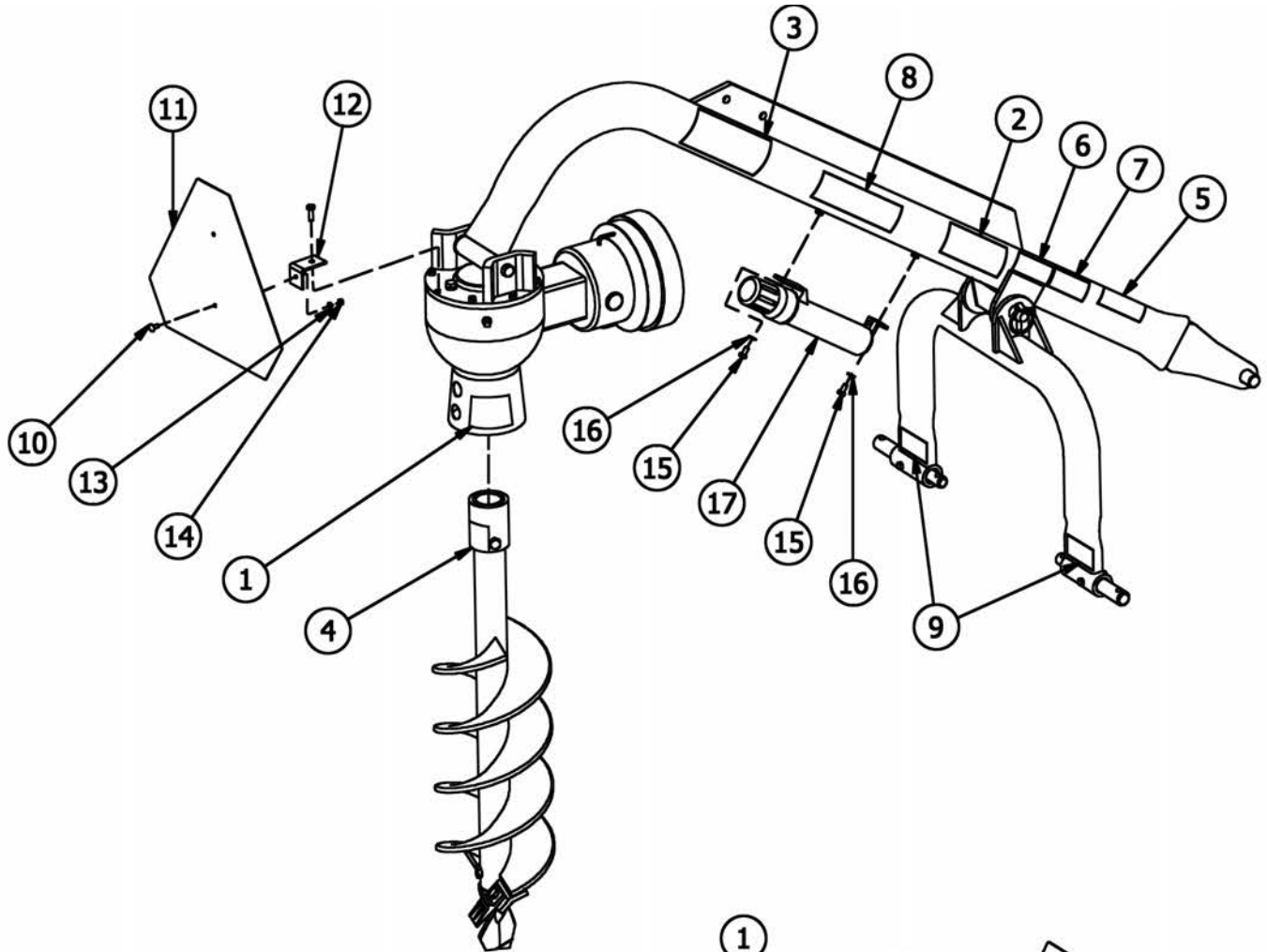
Ref.	Part #	Description	Qty.
1	0018152	Hydraulic cylinder	1
2	7900008	90° Elbow 1/2" FNPTx1/2" MNPT	1
3	503823B	Relief valve	1
4	7900009	Adapter STR. 1/2" MNPT-3/4" MORB	1
5	503825B	Hydraulic hose 1/4"x40", 1/2" MPx1/2" MP	1
6	503953B	Breather plug 3/4"-16 MORB	1
7	503835B	Pin Ø3/4"x3.875"; (until 01/2018)	1
	502933B	Pin, top hitch Ø19x140 Z (since 02/2018)	1
8	0018266	Lynch pin Ø11x45; (until 01/2018)	1
	0091507	Hairpin cotter Ø4 Z; (since 02/2018)	1
9	503833B	Pin Ø3/4"x3"	1
10	0001077	Washer lock Ø12 Z	2
11	0003038	Nut HH M12-1.75 C6 Z TK	2
12	503845B	Mounting plate, down pressure kit; PHD-300, PHD-400	2
13	0007716	Bolt HH M12-1.75x45 C8.8 Z F	2
14	503832B	Pin Ø1"x9.75"	1
15	0015240	Hairpin cotter Ø3 Z	2
16	502170B	1/2" Quick connector nipple 1/2" FP	1
17	503863B	Support, down pressure kit	1
18	950408B	Decal "WARNING - High pressure hydraulic oil leaks"	1
19	0018161	Shuttle valve	1
20	0018151	Hydraulic hose 3/8"x22" 1/2" MPx1/2" MP	1
21	0018158	Tee 1/2" MNPTx1/2" FNPTx1/2" FNPT	1
	009-9155	Hydraulic down pressure kit w/up relief, complete; PHD-300, 400	-



Ref.	Part #	Description	Qty.
1	0018100	Stand base	1
2	0018107	Long bending tube	1
3	0018110	Support tube	1
4	0084619	Pin locking Ø12x80 Z	3
5	0015240	Hairpin cotter Ø3 Z	4
6	0018120	Short bending tube	1
7	0018125	Support tube, gearbox	1
8	0034286	Bolt HH M12-1.75x100 C8.8 Z P	1
9	0002265	Washer flat Ø12 W	4
10	0030064	Nut PT M12-1.75 C6 TK Z	2
11	0091495	Bolt HH M12-1.75x80 C8.8 Z P	1
12	0018109	Support pin, driveline	1
	009-9851	Hookup stand, complete	-



Ref.	Part #	Description	Qty.
1	503876B	Grip, positioning handle	1
2	503969B	Tube, positioning handle	1
3	503970B	Mounting plate, positioning handle	1
4	0001279	Nut HH M10-1.50 C6 Z TK	1
5	0006349	Bolt HH M10-1.50x20 C8.8 Z F	1
	PHD-003	Positioning handle, complete	-



## PHD-100, PHD-200, PHD-300, PHD-400

Ref.	Part #	Description	Qty.
1	950212B	Decal "DANGER - Rotating auger, stay away"	2
2	950109B	Decal "DANGER - Avoid injury from PTO"	2
3	950969B	Decal "DANGER - Entanglement hazard" <sup>16</sup>	2
4	950360B	Decal "DANGER - Guard missing do not operate"	1
5	950962B	Decal "811 - Call before you dig"	1
6	950823B	Decal "PHD"	1
7	950337B	Decal "100"; PHD-100	1
	950328B	Decal "200"; PHD-200	1
	950327B	Decal "300"; PHD-300	1
	950371B	Decal "400"; PHD-400	1
8	9370176	Decal "ROTOMECH", PHD-100	2
	9370139	Decal "ROTOMECH", PHD-200, PHD-300, PHD-400	2
9	950366B	Decal, red reflective	2
10	0046535	Bolt CR M06-1.00x16 C4.6 Z	1
11	950352B	Decal "SMV" plastic emblem (option)	1
12	0018065	Mounting bracket, SMV sign (option)	1
13	0046536	Washer lock Ø06 Z (option)	1
14	501603B	Nut HH M06-1.00 C6 Z TK (option)	1
15	0018051	Bolt HH M08-1.25x12 C8.8 Z F	2
16	0015230	Washer flat Ø08 Z	2
17	7900060	Manual holder Ø2"x12.50"; #327532 & above	1
18	---	Decal, serial number	1
	960380B	Operator's Manual "PHD-100, PHD-200, PHD-300, PHD-400"	1
	961380B	Parts Manual "PHD-100, PHD-200, PHD-300, PHD-400"	1

## Use only original spare parts

All rights reserved. It is unlawful to copy, reprint or use any of the information or details in this manual without the expressed written permission of the Company. Technical information provided in this manual is approximate, the Company reserves the right to modify or improve the models shown for technical or commercial purposes. Pictures in this manual do not necessarily show the machine as delivered.

<sup>16</sup> From serial #338885 decal 950969B replaces decals 950222B, 950223B and 950224B.

---

# ROTOMECH USA

P.O. Box 6035

Rocky Mount, NC 27802-6035

Tel.: 252.977.2010 - Fax: 252.454.0434

[www.rotomecusa.com](http://www.rotomecusa.com)

