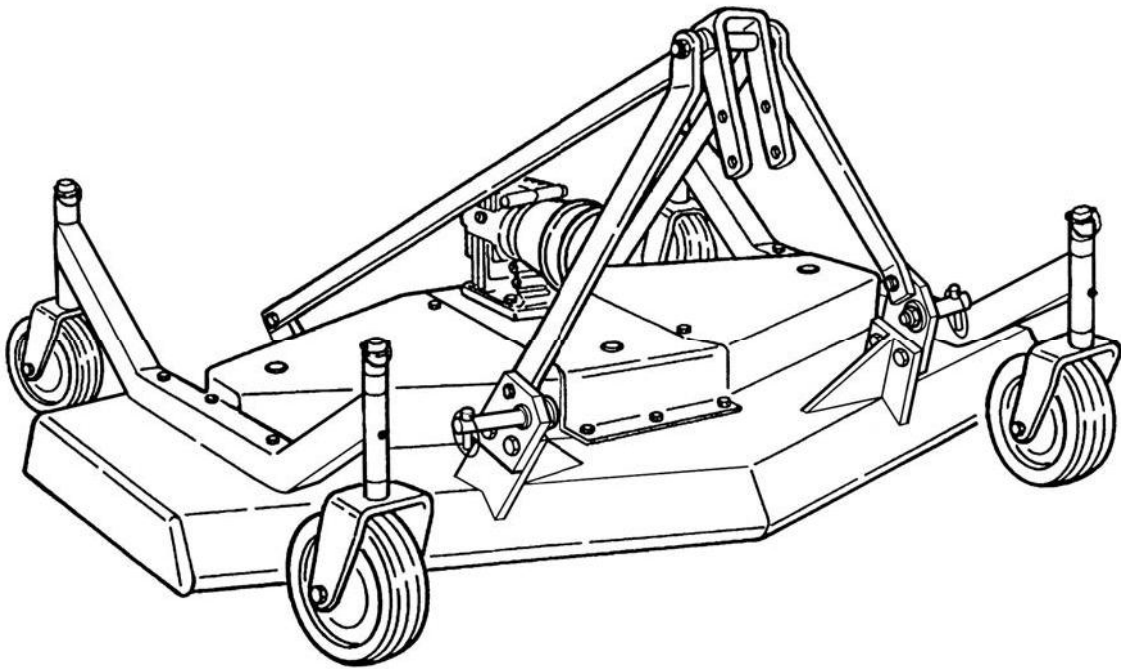


# ROTOMECH<sup>®</sup> USA

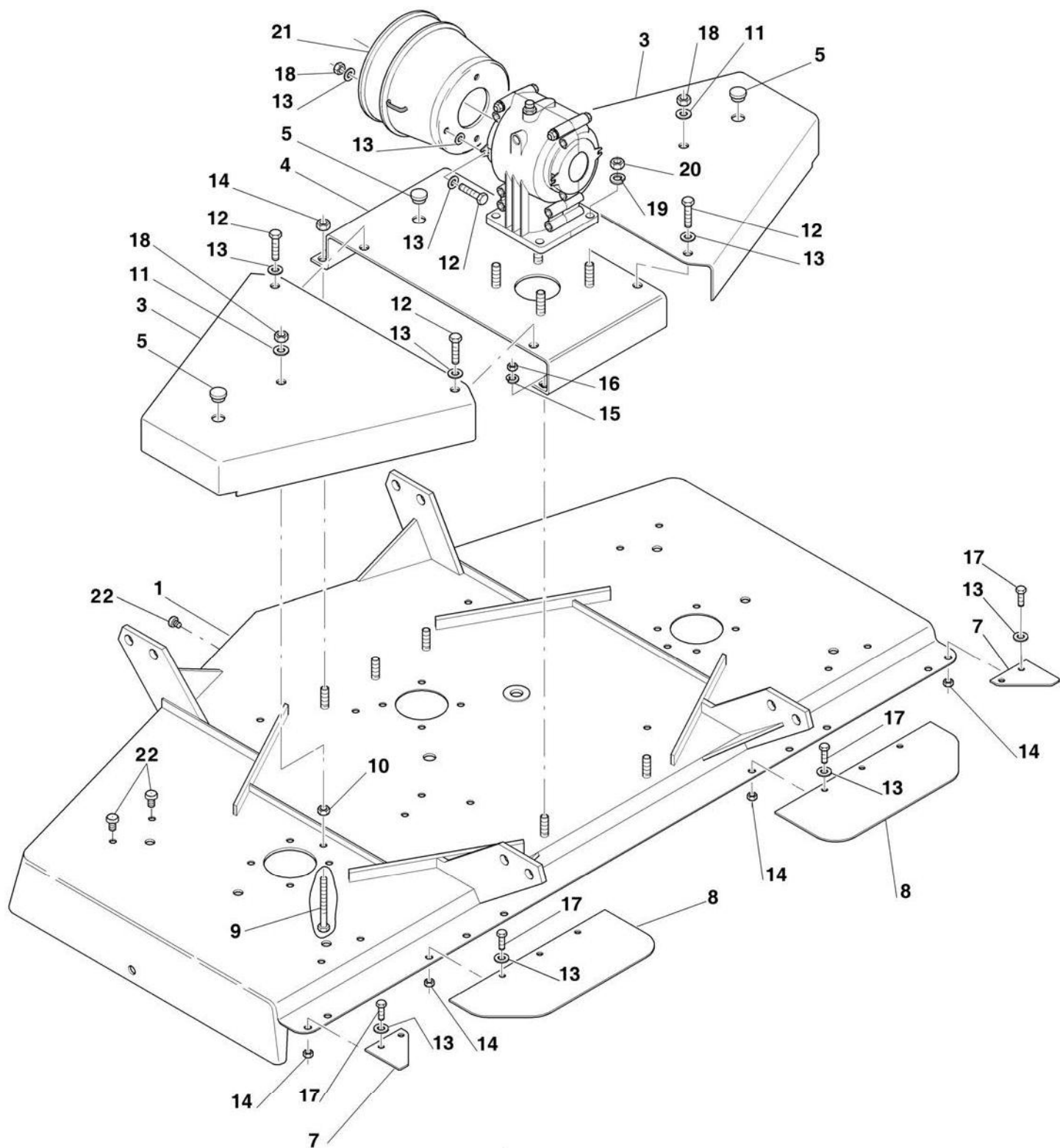
## Parts Manual

### GROOMING MOWERS

**C28-RD4, C28-RD5, C28-RD6**

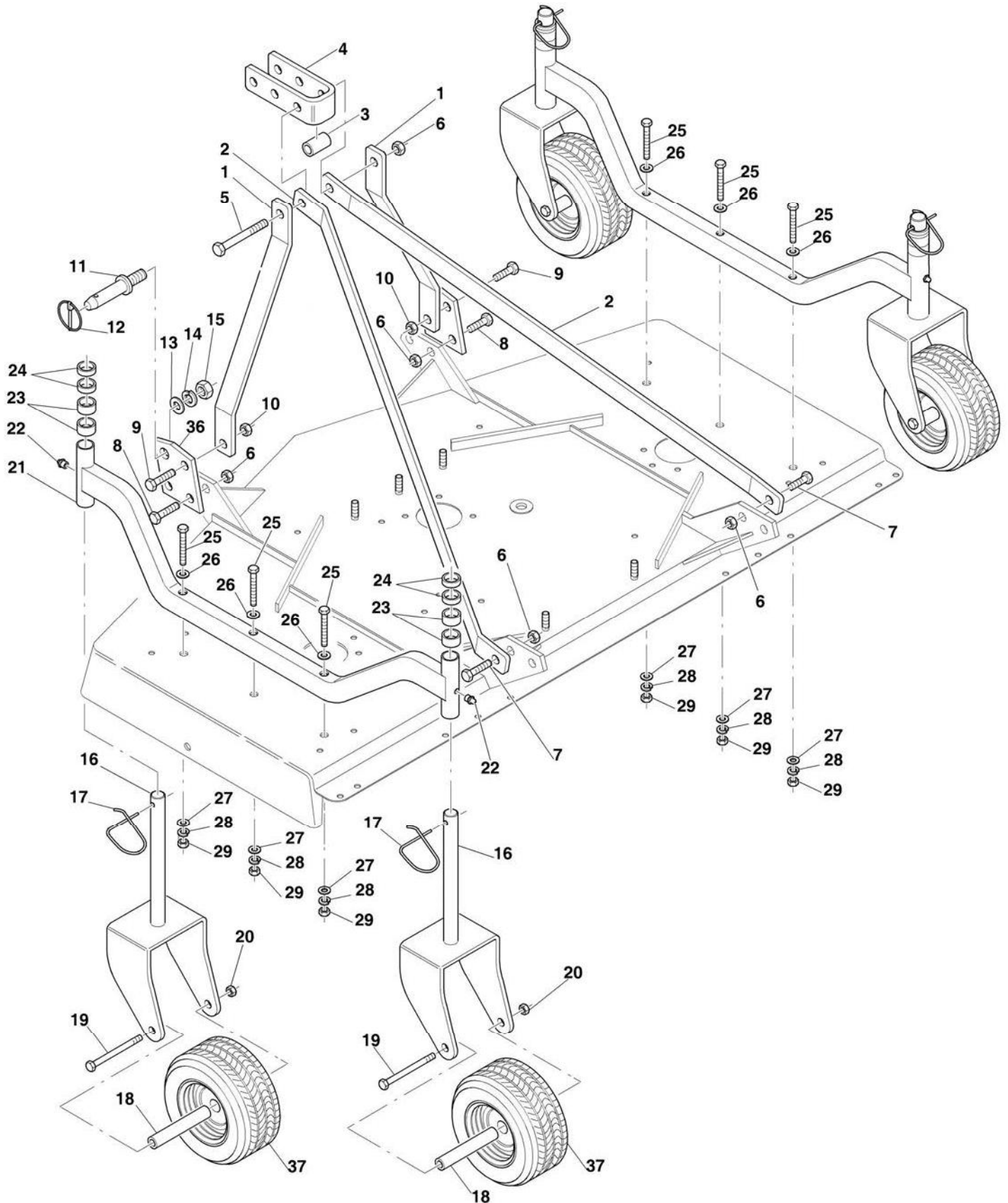


Manual 970273B  
March 2026

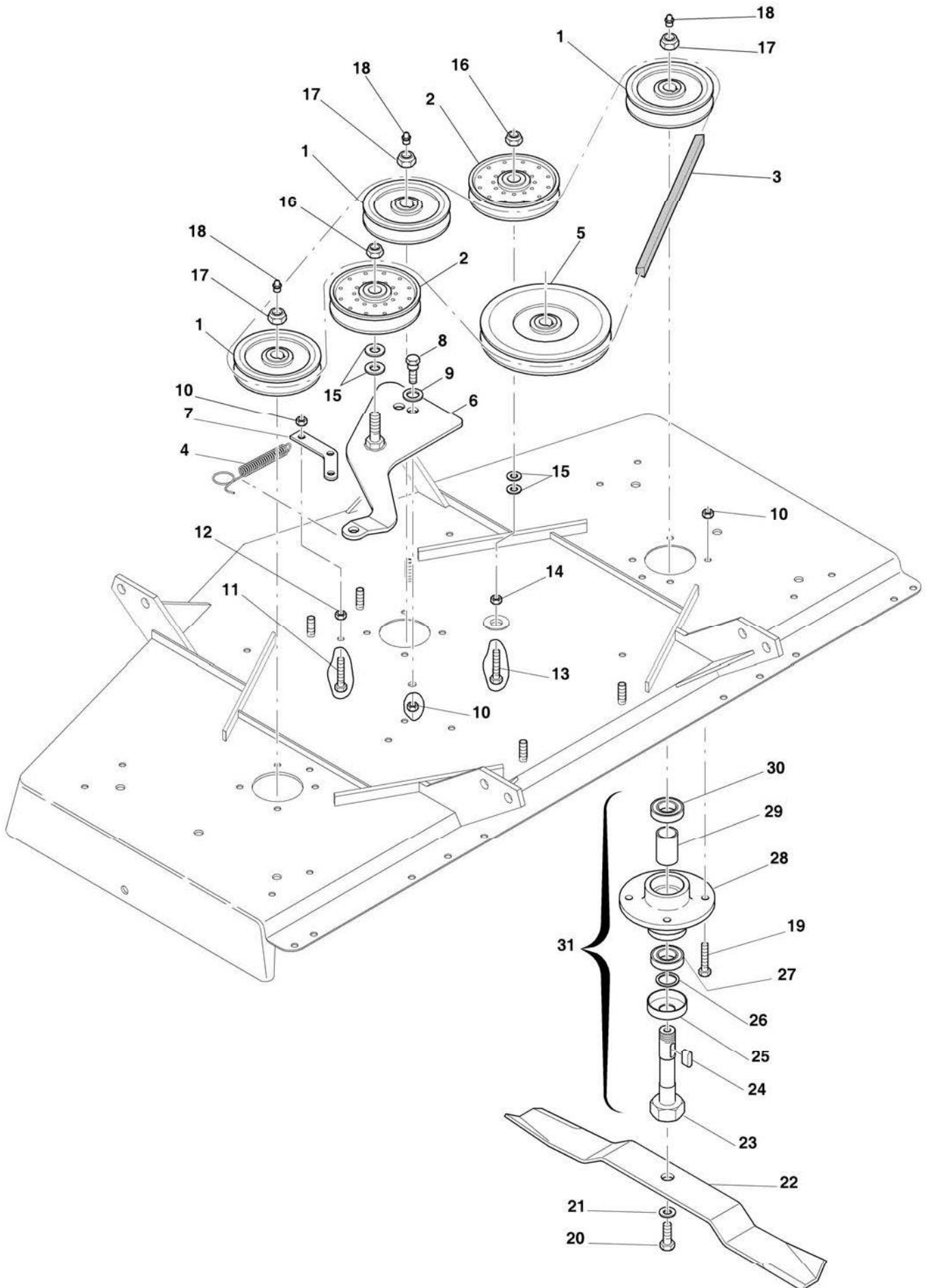


## C28-RD4, C28-RD5, C28-RD6 SERIAL #391263 &amp; ABOVE

Ref.	Part #	Description	Qty.
1	0151501P	Frame 48" rear discharge; C28-RD4	1
	0251501P	Frame 60" rear discharge; C28-RD5	1
	0351501P	Frame 72" rear discharge; C28-RD6	1
3	0108817	Belt shield 48"; C28-RD4	2
	0208817	Belt shield 60"; C28-RD5	2
	0308817	Belt shield 72"; C28-RD6	2
4	0051581	Central plate 48"; C28-RD4	1
	0051583	Central plate 60"; C28-RD5	1
	0051585	Central plate 72"; C28-RD6	1
5	0006647	Cap	3
7	0051858	Rear protection 60", outer; C28-RD5	2
	0051859	Rear protection 72", outer; C28-RD6	2
8	0051856	Rear protection 48"-72", inner; C28-RD4, RD5, RD6	2
9	0008818	Bolt HH M10-1.50x110 C8.8 Z F	2
10	0014106	Nut ES M10-1.50 Z TK	2
11	0030157	Washer fender Ø10 Z	2
12	0033176	Bolt HH M10-1.50x25 C8.8 Z F	4
13	0002034	Washer flat Ø10 W	-
14	0030156	Nut PT M10-1.50 C6 TK Z	-
15	0001280	Washer lock Ø10 Z	2
16	0001279	Nut HH M10-1.50 C6 TK Z	2
17	0006349	Bolt HH M10-1.50x20 C8.8 Z F	-
18	0015237	Nut ES M10-1.50 Z TN	4
19	0001077	Washer lock Ø12 Z	4
20	0003038	Nut HH M12-1.75 C6 Z TK	4
21	0008663	Protection, shaft	1
22	0051570	Cap	4

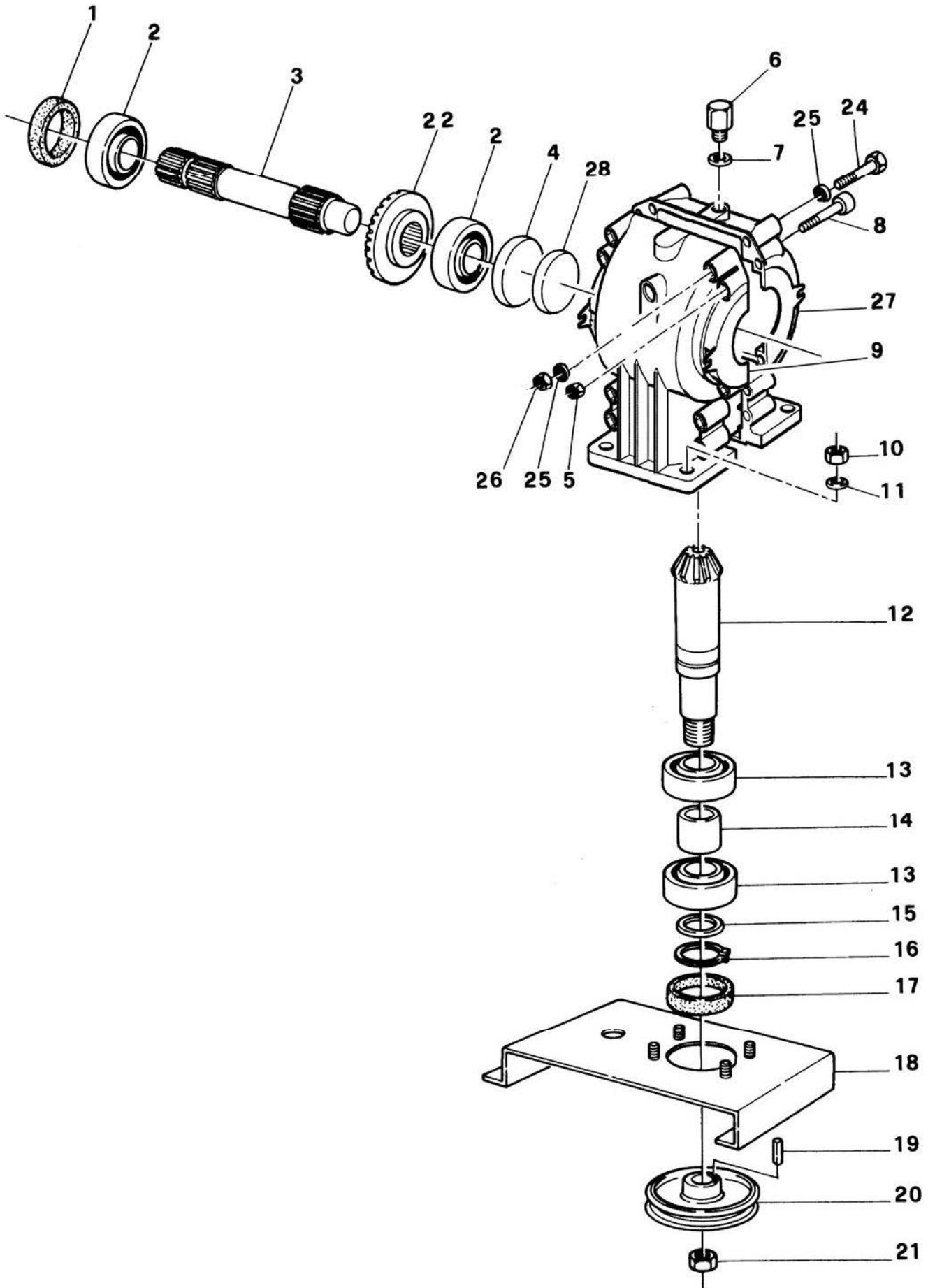


Ref.	Part #	Description	Qty.
1	0051822	Top hitch support 48"-72"	2
2	0051824	Top hitch arm 48"; C28-RD4	2
	0051826	Top hitch arm 60"; C28-RD5	2
	0051828	Top hitch arm 72"; C28-RD6	2
3	0006829	Spacer	1
4	0006828	Top hitch plate	1
5	0006891	Bolt HH M16-2.00x140 C8.8 Z P	1
6	0005581	Nut PT M16-2.00 C6 Z TK	7
7	0032687	Bolt HH M16-2.00x40 C8.8 Z F	2
8	0006578	Bolt HH M16-2.00x45 C8.8 Z F	4
9	0009538	Bolt HH M20-2.50x45 C8.8 Z F	2
10	0005507	Nut PT M20-2.50 C6 TK Z	2
11	0005550	Hitch pin	2
12	0018266	Lynch pin Ø11x45	2
13	0051849	Spacing disc	2
14	0005351	Washer lock Ø20 Z	2
15	0005542	Nut HH M20-1.50 C6 Z MD	2
16	0008785	Wheel yoke	4
17	0008783	Pin, wheel yoke	4
18	0008528	Spacer	4
19	0006615	Bolt HH M14-2.00x140 C8.8 Z P	4
20	0030358	Nut PT M14-2.00 C6 Z TK	4
21	0051772	Wheel arm 48"; C28-RD4	2
	0051781	Wheel arm 60"; C28-RD5	2
	0051783	Wheel arm 72"; C28-RD6	2
22	0001065	Grease fitting M10-1.00	4
23	0006586	Spacer 1", height adjustment	8
24	0006587	Spacer ½", height adjustment	8
25	0026185	Bolt HH M10-1.50x90 C8.8 Z P	6
26	0051776	Washer flat SP Ø10 W	6
27	0002034	Washer flat Ø10 W	6
28	0001280	Washer lock Ø10 Z	6
29	0001279	Nut HH M10-1.50 C6 TK Z	6
36	0051817	Linking plate, #BC...844971 & above	2
37	0008526	Wheel hard tire, complete	4
	0006613	Bushing, hard tire (not shown)	8



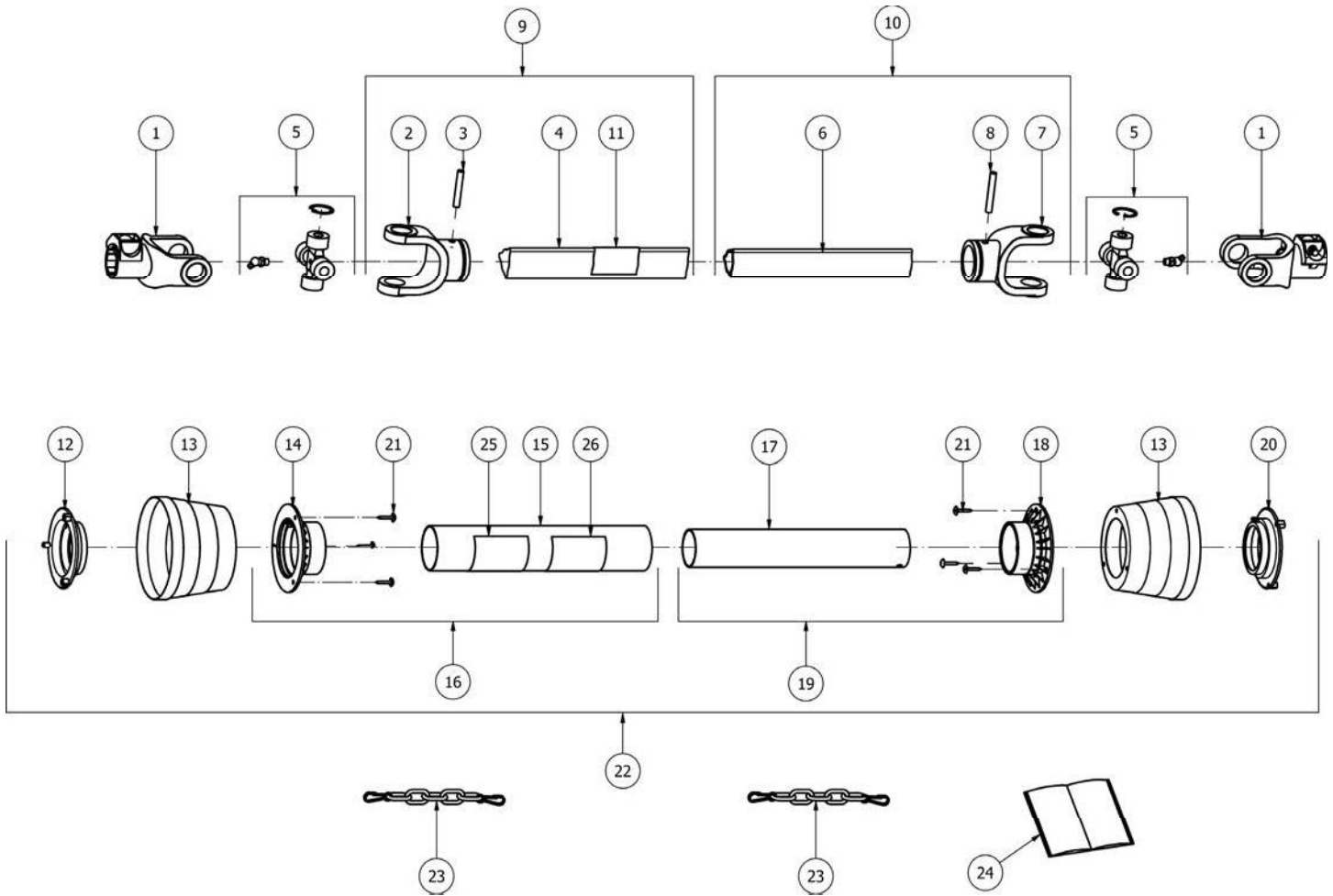
## C28-RD4, C28-RD5, C28-RD6 SERIAL #391263 &amp; ABOVE

Ref.	Part #	Description	Qty.
1	0008531	Pulley SPB 120x1; C28-RD4	3
	0008666	Pulley SPB 130x1; C28-RD5	3
	0008881	Pulley SPB 160x1; C28-RD6	3
2	0008561	Pulley, belt tensioner	2
3	0008630	Belt BX 98; C28-RD4	1
	0008670	Belt BX 112 ½; C28-RD5	1
	0008950	Belt BX 140; C28-RD6	1
4	0051740	Spring	1
5	0008623	Pulley SPB 250x1	1
6	0051741	Support, belt tensioner; C28-RD4	1
	0051745	Support, belt tensioner; C28-RD5, C28-RD6	1
7	0008571	Hitch plate; C28-RD4	1
	0051755	Hitch plate; C28-RD5	1
	0051757	Hitch plate; C28-RD6	1
8	0051751	Bolt belt tensioner SP M10-1.50	1
9	0017354	Washer fender Ø16 Z	1
10	0030156	Nut PT M10-1.50 C6 TK Z	14
11	0091281	Bolt HH M10-1.50x35 C8.8 Z F	1
12	0001279	Nut HH M10-1.50 C6 TK Z	1
13	0008576	Bolt HH M20-2.50x65 C8.8 Z F	1
14	0005508	Nut HH M20-2.50 C6 Z MD	1
15	0046555	Washer flat Ø20 Z	4
16	0005507	Nut PT M20-2.50 C6 TK Z	2
17	0006698	Nut SP M25-1.50 Z	3
18	0029036	Grease fitting Ø8, press in	3
19	0001278	Bolt HH M10-1.50x30 C8.8 Z F	12
20	0006659	Bolt blade SP M14-1.50x32	3
21	0008560	Washer conical spring Ø18 Z	3
22	0006795	Blade standard 48"; C28-RD4	3
	0006641	Blade standard 60"; C28-RD5	3
	0006845	Blade standard 72"; C28-RD6	3
	0006795M	Blade mulching 48"; C28-RD4 (option)	3
	0006641M	Blade mulching 60"; C28-RD5 (option)	3
	0006845M	Blade mulching 72"; C28-RD6 (option)	3
	0006795B	Blade high lift 48"; C28-RD4 (option)	3
	0006641B	Blade high lift 60"; C28-RD5 (option)	3
	0006845B	Blade high lift 72"; C28-RD6 (option)	3
	0006795F	Blade flat 48"; C28-RD4 (option)	3
	0006641F	Blade flat 60"; C28-RD5 (option)	3
	0006845F	Blade flat 72"; C28-RD6 (option)	3
23	0008557	Spindle shaft	3
24	0006639	Key 8x7x25	3
25	0006636	Cover	3
26	0006606	Shim Ø25x35x2	3
27	0006626A	Bearing 6205-ZZ	3
28	0008538	Support, spindle shaft	3
29	0008536	Spacer	3
30	0006634A	Bearing 6205-Z	3
31	0008533	Spindle assembly	-



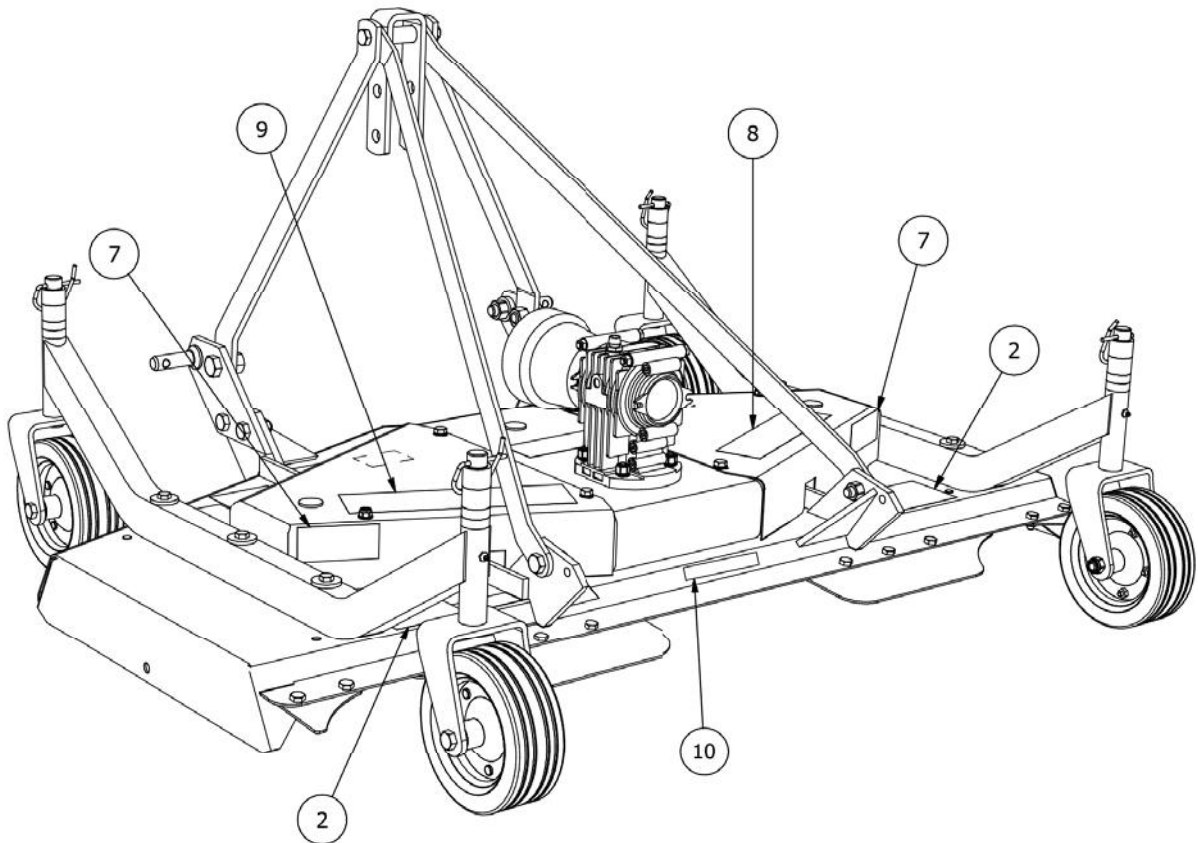
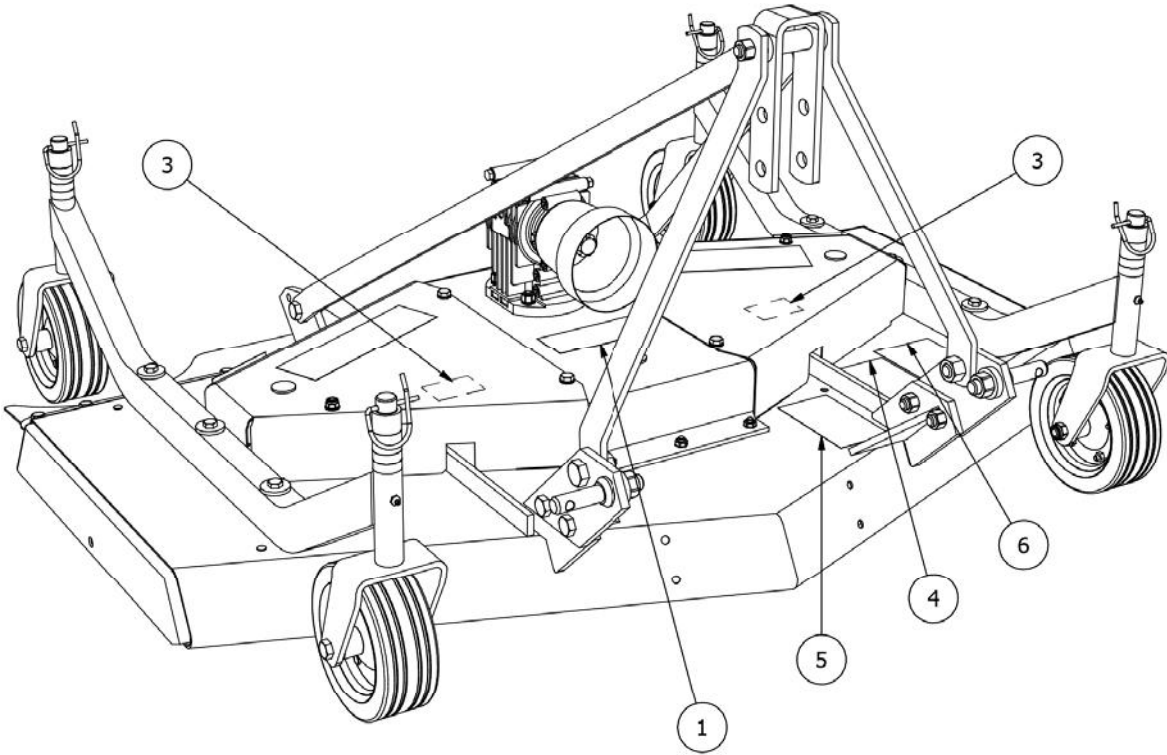
Ref.	Part #	Description	Qty.
1	0010192	Oil seal 40.68.10	1
2	0012149A	Bearing 6208	2
3	0008892	Input shaft	1
4	0008609	Cap	1
5	0001806	Nut HH M08-1.25 C6 Z TK	8
6	0010177	Breather cap	1
7	0008601	Gasket, breather cap	1
8	0010171	Bolt SC M08-1.25x50 C8.8 Z P	8
9	0056681	Housing w/o fill hole, gearbox	1
10	0003038	Nut HH M12-1.75 C6 Z TK	4
11	0001077	Washer lock Ø12 Z	4
12	0050192	Pinion gear	1
13	0025332A	Bearing 6207	2
14	0010196	Spacer	1
15	0034196	Shim Ø35x45x2.5	1
16	0042122	Snap ring, outer Ø35	1
17	0002295	Oil seal 35.62.10	1
18	0051581	Central plate 48"; C28-RD4	1
	0051583	Central plate 60"; C28-RD5	1
	0051585	Central plate 72"; C28-RD6	1
19	0006688	Key 7x8x35	1
20	0008623	Pulley SPB 250x1	1
21	0006698	Nut SP M25-1.50 Z	1
22	0008893	Ring gear	1
24	0015263	Bolt HH M10-1.50x120 C8.8 Z P	2
25	0002034	Washer flat Ø10 Z	4
26	0030156	Nut PT M10-1.50 C6 Z TK	2
27	005-6682	Housing w/fill hole, gearbox	1
28	0056683	Cap	1
	0500668	Gearbox complete 540 rpm	-

Note: Fill using approx. 20 fl.oz. (0.6 qt.) of SAE 90W gear oil.

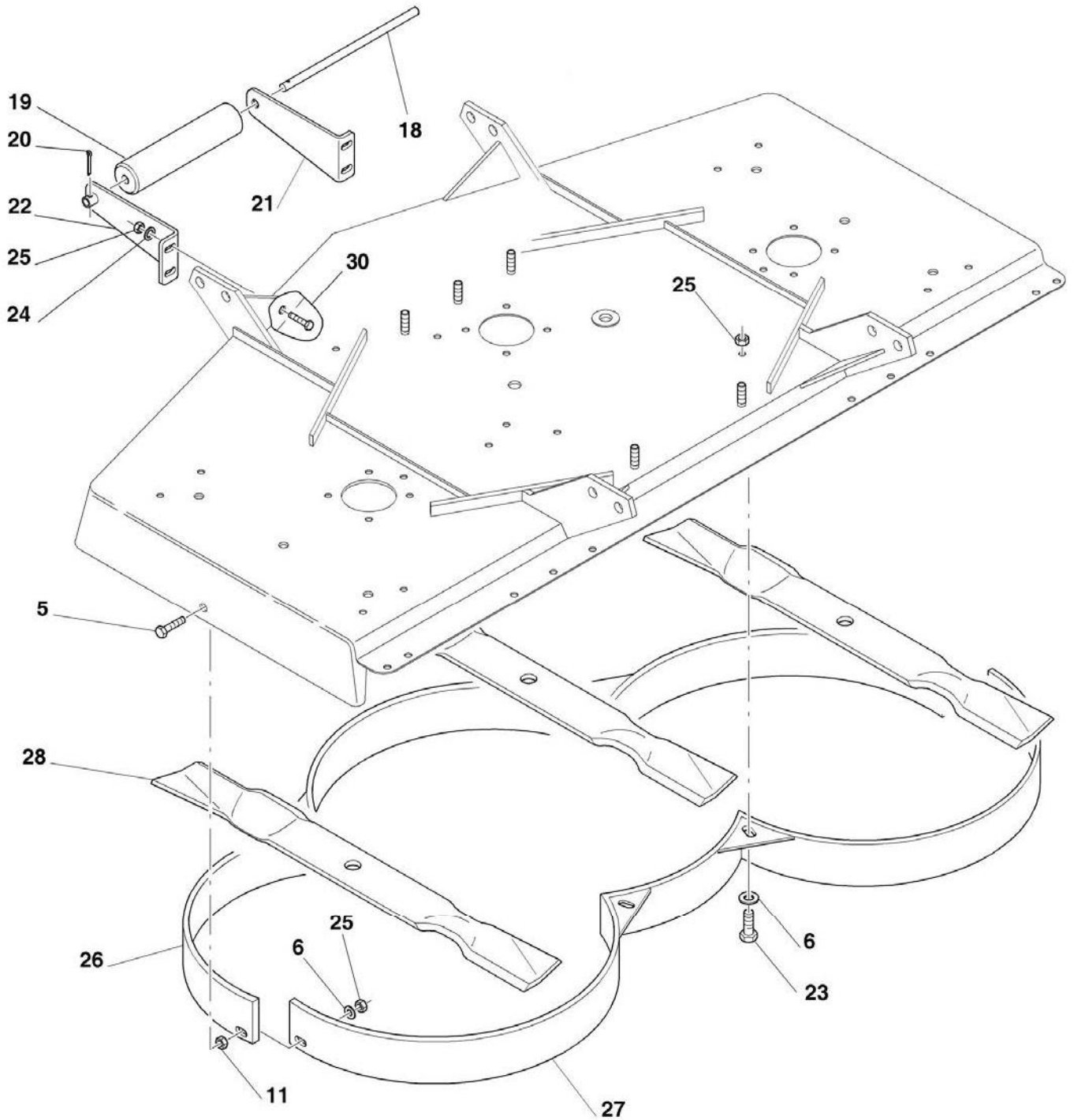


## C28-RD4, C28-RD5, C28-RD6; SERIAL #320236 &amp; ABOVE

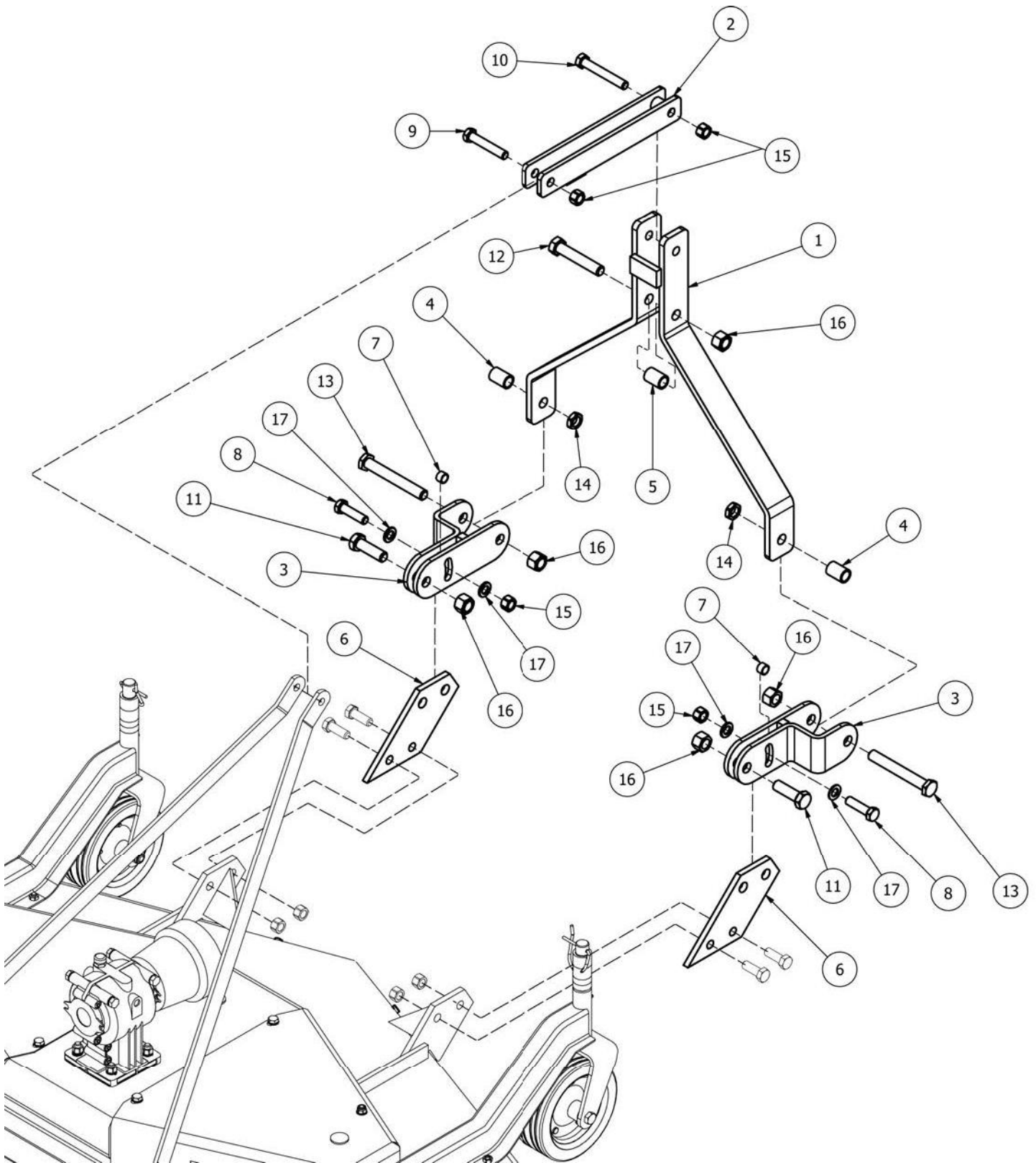
Ref.	Part #	Description	Qty.
1	0800203B	PTO yoke	2
2	08002021B	Yoke, outer tube	1
3	0008679	Roll pin Ø8x55	1
4	1363052AB	Outer tube; C28-RD4	1
	1363062AB	Outer tube; C28-RD5	1
	1363077AB	Outer tube; C28-RD6	1
5	08202B	Cross w/bearing	2
6	1294052AB	Inner tube; C28-RD4	1
	1294062AB	Inner tube; C28-RD5	1
	1294077AB	Inner tube; C28-RD6	1
7	08002011B	Yoke, inner tube	1
8	0026342	Roll pin Ø8x50	1
9	1B020642B	Outer tube w/yoke, complete; C28-RD4	1
	1B020742B	Outer tube w/yoke, complete; C28-RD5	1
	1B020892B	Outer tube w/yoke, complete; C28-RD6	1
10	1B020641B	Inner tube w/yoke, complete; C28-RD4	1
	1B020741B	Inner tube w/yoke, complete; C28-RD5	1
	1B020891B	Inner tube w/yoke, complete; C28-RD6	1
11	950464B	Decal "DANGER - Guard missing, do not operate", outer tube	1
12	5502C001B	Locking ring, outer tube	1
13	1902C001B	Standard cone	2
14	5402C001B	Rigid cone, outer tube	1
15	961NB064B	Shield, outer tube; C28-RD4	1
	961NB074B	Shield, outer tube; C28-RD5	1
	961NB089B	Shield, outer tube; C28-RD6	1
16	4B020642B	Shield, outer tube w/cone; C28-RD4	1
	4B020742B	Shield, outer tube w/cone; C28-RD5	1
	4B020892B	Shield, outer tube w/cone; C28-RD6	1
17	955NB064B	Shield, inner tube; C28-RD4	1
	955NB074B	Shield, inner tube; C28-RD5	1
	955NB089B	Shield, inner tube; C28-RD6	1
18	5402C002B	Rigid cone, inner tube	1
19	4B020641B	Shield, inner tube w/cone; C28-RD4	1
	4B020741B	Shield, inner tube w/cone; C28-RD5	1
	4B020891B	Shield, inner tube w/cone; C28-RD6	1
20	5502C002B	Locking ring, inner tube	1
21	98052242B	Self tapping screw PN M4.8x22 Z	6
22	3CE02064B	Shield, complete; C28-RD4	1
	3CE02074B	Shield, complete; C28-RD5	1
	3CE02089B	Shield, complete; C28-RD6	1
23	52000001B	Chain, anti-rotation	2
24	09872101B	Operator's manual, driveline Binacchi	1
25	09872010B	Decal "rotating driveline" pictorial - ISO standard, outer shield	1
26	950463B	Decal "DANGER - Rotating driveline, keep away", outer shield	1
	0500110	Driveline, complete; C28-RD4	-
	0500111	Driveline, complete; C28-RD5	-
	0500112	Driveline, complete; C28-RD6	-



Ref.	Part #	Description	Qty.
1	950109B	Decal "DANGER - Avoid injury from PTO"	1
2	950818B	Decal "DANGER - Rotating blades; Thrown objects"	2
3	950213B	Decal "DANGER - Replace shields", placed under belt shields	2
4	950406B	Decal "WARNING - Falling off"	1
5	950407B	Decal "WARNING - Crushing and pinching hazard"	1
6	950111B	Decal "CAUTION - To avoid serious injury"	1
7	950366B	Decal, red reflective	2
8	950314B	Decal "C28"	1
	950249B	Decal "RD4"	1
	950250B	Decal "RD5"	1
	950251B	Decal "RD6"	1
9	9370176	Decal "Rotomec"; C28-RD4	2
	9370139	Decal "Rotomec"; C28-RD5, RD6	2
10	950358B	Decal "Made in USA"	1
	960273B	Operator's Manual C28-RD4, C28-RD5, C28-RD6	1
	970273B	Parts Manual C28-RD4, C28-RD5, C28-RD6	1



Ref.	Part #	Description	Qty.
5	0091281	Bolt HH M10-1.50x35 C8.8 Z F	2
6	0030157	Washer fender Ø10 Z	-
11	0003038	Nut HH M12-1.75 C6 Z TK	6
18	0008929	Roller pin	1
19	0067358	Front roller 3"	1
20	0112087	Cotter pin Ø4x50 Z	1
21	0008923	Roller support, right	1
22	0208924	Roller support, left	1
23	0006349	Bolt HH M10-1.50x20 C8.8 Z F	-
24	0002034	Washer flat Ø10 Z	4
25	0030156	Nut PT M10-1.50 C6 Z TK	-
26	0008755	Baffling, front 48"; C28-RD4	1
	0115824	Baffling, front 60"; C28-RD5	1
	0008759	Baffling, front 72"; C28-RD6	1
27	0008756	Baffling, rear 48"; C28-RD4	1
	0115825	Baffling, rear 60"; C28-RD5	1
	0008760	Baffling, rear 72"; C28-RD6	1
28	0006795M	Mulching blade 48"; C28-RD4	3
	0006641M	Mulching blade 60"; C28-RD5	3
	0006845M	Mulching blade 72"; C28-RD6	3
30	0033176	Bolt HH M10-1.50x25 C8.8 Z F	4
	001-600	Front roller, complete	-
	004-600	Mulching kit 48", complete; C28-RD4	-
	005-600	Mulching kit 60", complete; C28-RD5	-
	006-600	Mulching kit 72", complete; C28-RD6	-



Ref.	Part #	Description	Qty.
1	503753B	A frame support	1
2	503754B	Floating top link	1
3	0051941	Floating yoke	2
4	503755B	Spacer 1-3/8"	2
5	503756B	Spacer 1-1/8"	1
6	0051817	Linking plate	2
7	503757B	Bushing	2
8	0006577	Bolt HH M16-2.00x60 C8.8 Z P	2
9	0008029	Bolt HH M16-2.00x90 C8.8 Z P	1
10	0070346	Bolt HH M16-2.00x110 C8.8 Z P	1
11	0008576	Bolt HH M20-2.50x65 C8.8 Z F	2
12	0051953	Bolt HH M20-2.50x110 C8.8 Z P	1
13	0051954	Bolt HH M20-2.50x140 C8.8 Z P	2
14	0015686	Nut HH M20-2.50 C6 Z TN	2
15	0005581	Nut PT M16-2.00 C6 Z TK	4
16	0005507	Nut PT M20-2.50 C6 TK Z	5
17	0008568	Washer flat Ø16 W	4
	001-700	Quick-Hitch Adapter, complete (field conversion kit)	1



## **Use only original spare parts**

*All rights reserved. It is unlawful to copy, reprint or use any of the information or details in this manual without the expressed written permission of the Company. Technical information provided in this manual is approximate, the Company reserves the right to modify or improve the models shown for technical or commercial purposes. Pictures in this manual do not necessarily show the machine as delivered.*

---

# ROTOMECH USA

P.O. Box 6035

Rocky Mount, NC 27802-6035

Tel.: 252.977.2010 - Fax: 252.454.0434

[www.rotomecusa.com](http://www.rotomecusa.com)

